

# ASSEMBLY INSTRUCTION

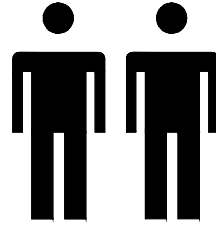
DESCRIPTION : ASHDAWN EXTENDING DINING  
TABLE

ITEM : JS690

DATE :

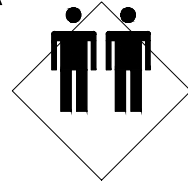
**30 mins**

APPROXIMATE ASSEMBLY TIME



2 PERSON ASSEMBLY

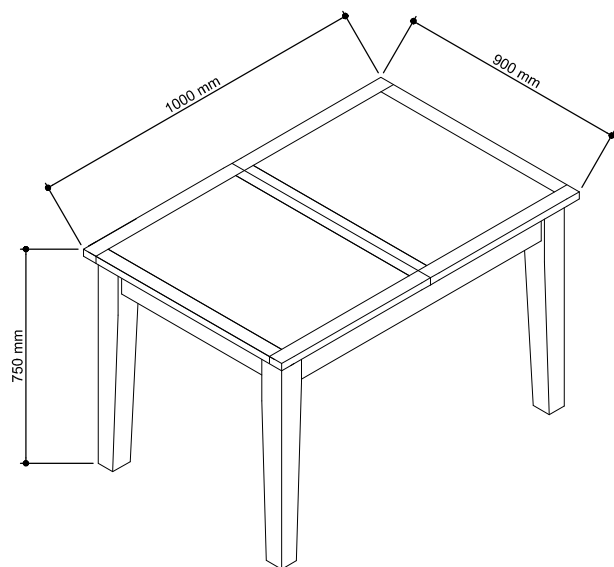
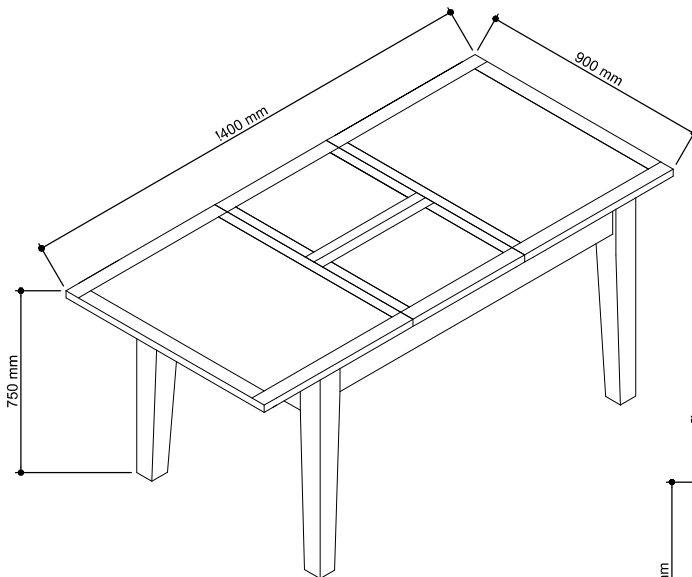
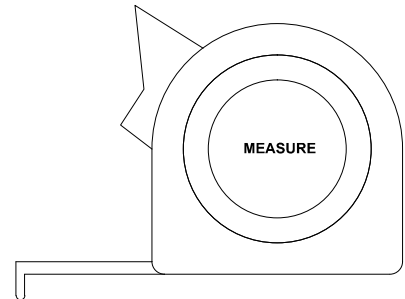
FLOOR AREA  
1.5M X 2M



CEILING HEIGHT  
2.4M

REQUIRED ASSEMBLY SPACE

REQUIRED ASSEMBLY TOOL



# ASSEMBLY

# INSTRUCTION

DESCRIPTION : ASHDAWN EXTENDING DINING  
TABLE

ITEM : JS690

DATE :

## TOP TIPS BEFORE YOU START !

- 1. Please check that all parts are present before you start the assembly of furniture, as once assembled, the furniture is exempt from our home approval policy.*
- 2. For ease and speed of assembly, we recommend that before you commence each step of the assembly, that you identify all the parts required for that step.*
- 3. For large items, please ensure that you have sufficient space and people (as indicated on page 1) to assemble your product safely.*
- 4. We recommend that, where possible, all items are assembled near to the area in which they will be placed in use, to avoid moving the product unnecessarily once assembled.*
- 5. For the protection of your furniture, particularly items of high gloss finish, we recommend that the product is placed on a protected surface during assembly to prevent any damage.*
- 6. During assembly please take care not to over-tighten any fittings, as this may damage the product.*

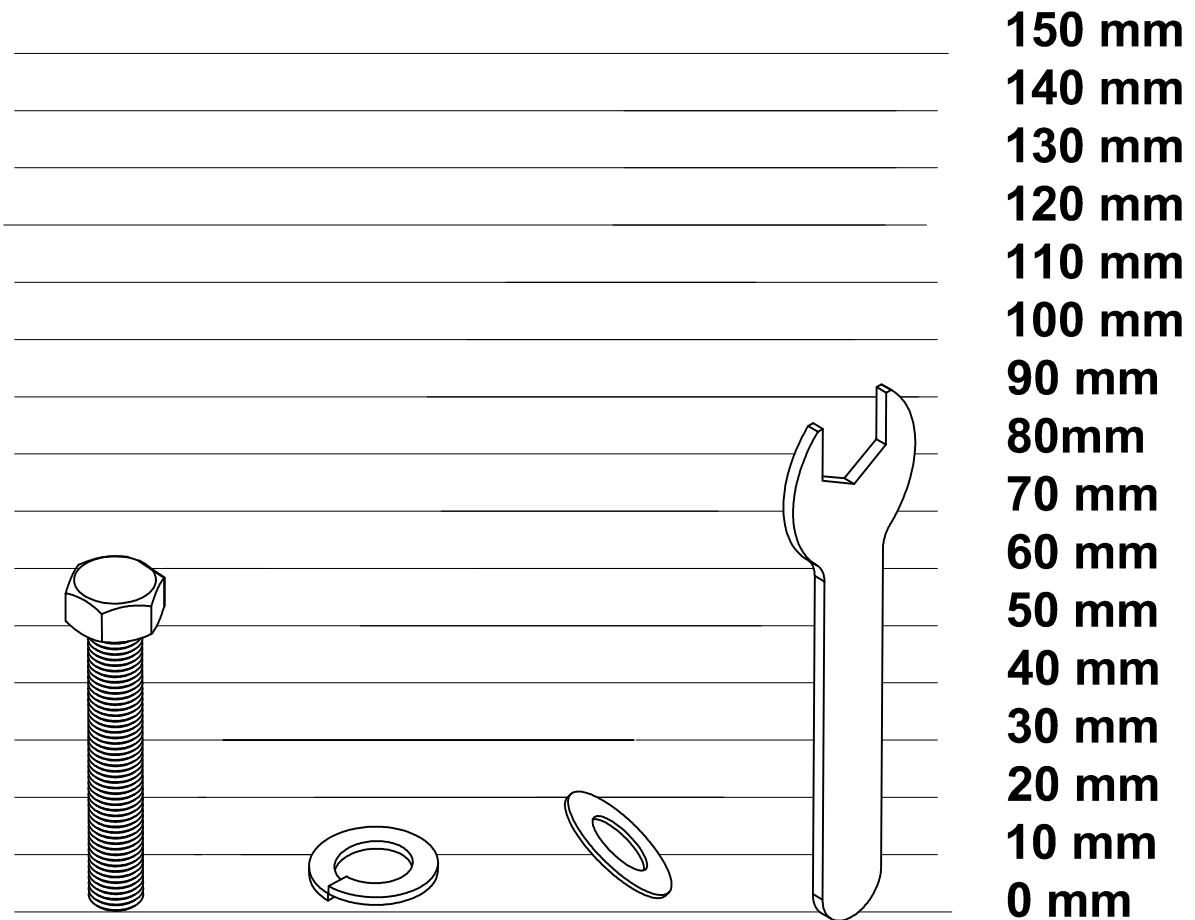
# ASSEMBLY INSTRUCTION

DESCRIPTION : ASHDAWN EXTENDING DINING  
TABLE

ITEM : JS690

DATE :

## HARDWARE LIST



8x  
M8x60  
A  
Bolt

8x  
M8x13  
B  
Lock Washer

8x  
M8x20  
C  
Flat Washer

1x  
K13  
D  
Wrench

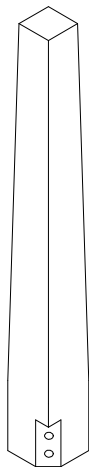
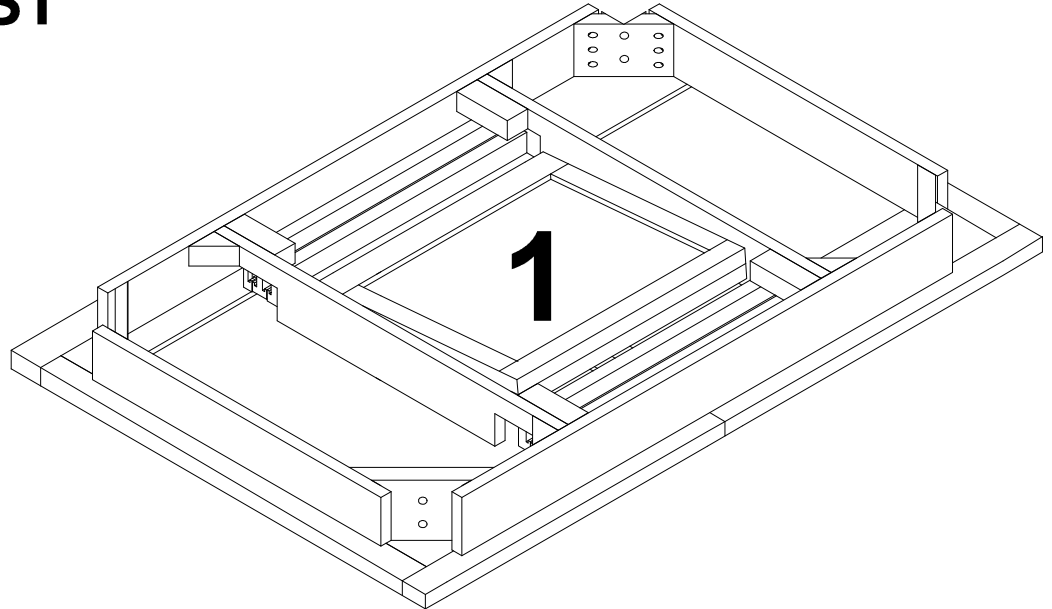
# ASSEMBLY INSTRUCTION

DESCRIPTION : ASHDOWN EXTENDING DINING  
TABLE

ITEM : JS690

DATE :

## PART LIST



**2**

No.	PART LIST	Q'TY	DIMENSION
1	Table Top Frame	1	900x1000x125 mm
2	Leg	4	80x80x715 mm

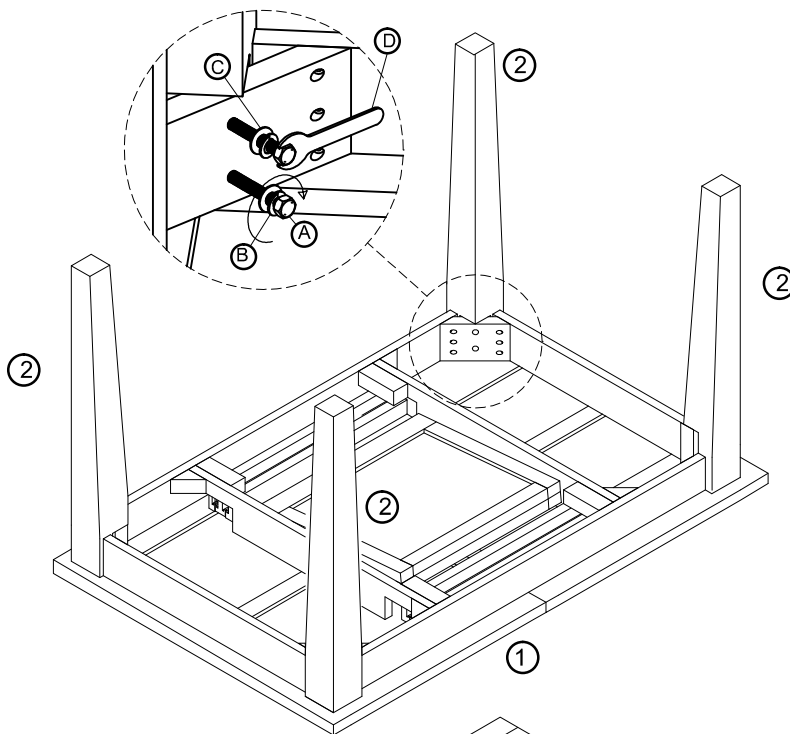
# ASSEMBLY INSTRUCTION

DESCRIPTION : ASHDAWN EXTENDING DINING  
TABLE

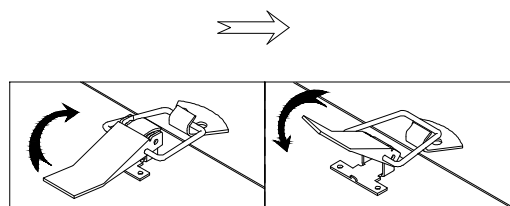
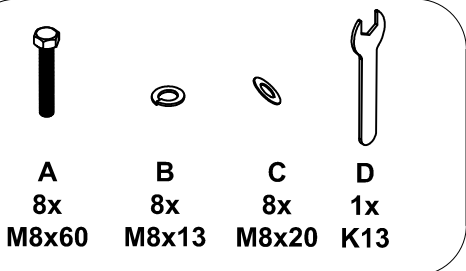
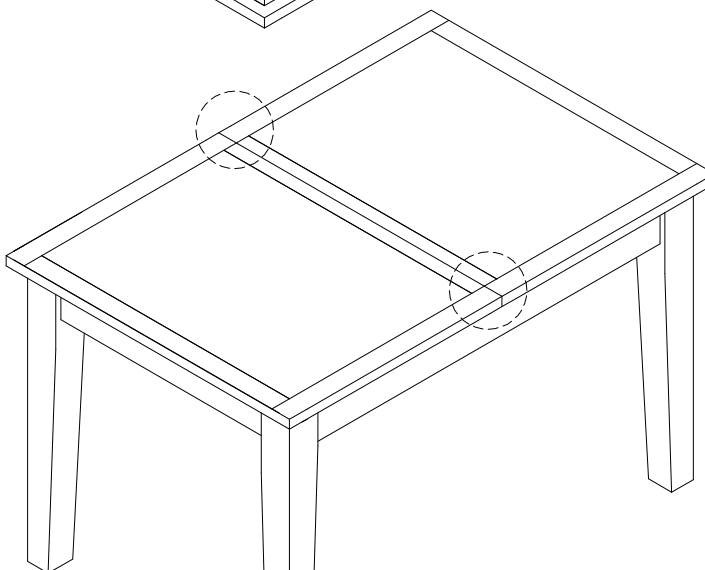
ITEM : JS690

DATE :

## STEP 1



## STEP 2



UNLOCK

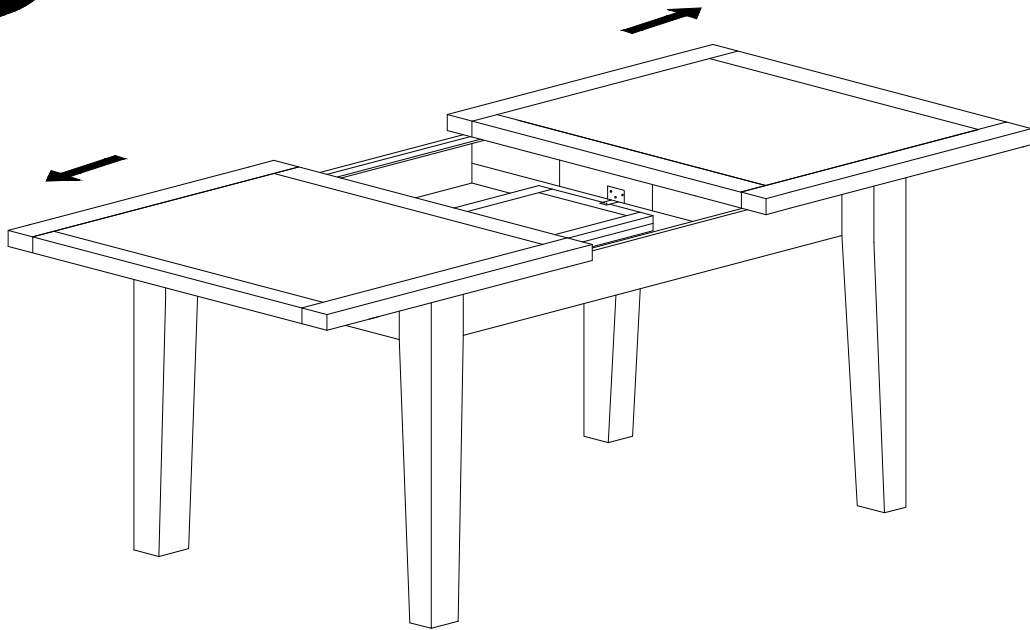
# ASSEMBLY INSTRUCTION

DESCRIPTION : ASHDAWN EXTENDING DINING  
TABLE

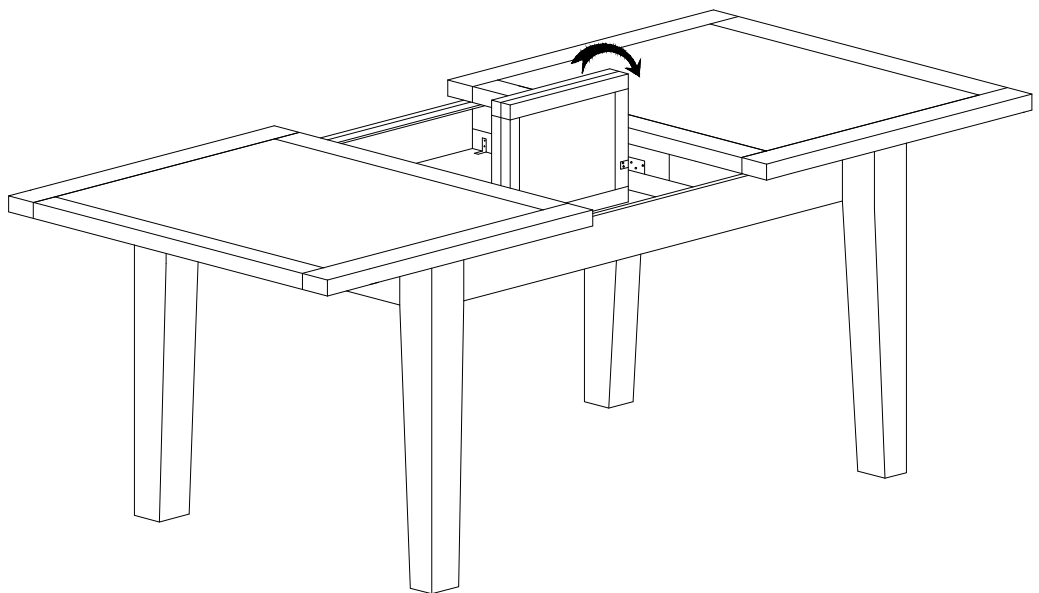
ITEM : JS690

DATE :

## STEP 3



## STEP 4



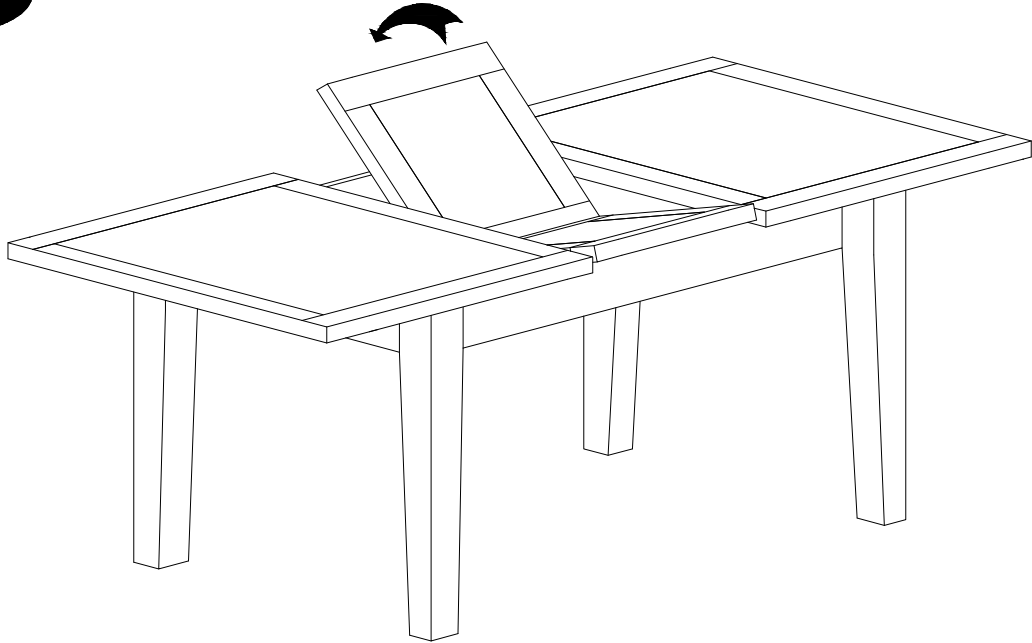
# ASSEMBLY INSTRUCTION

DESCRIPTION : ASHDAWN EXTENDING DINING  
TABLE

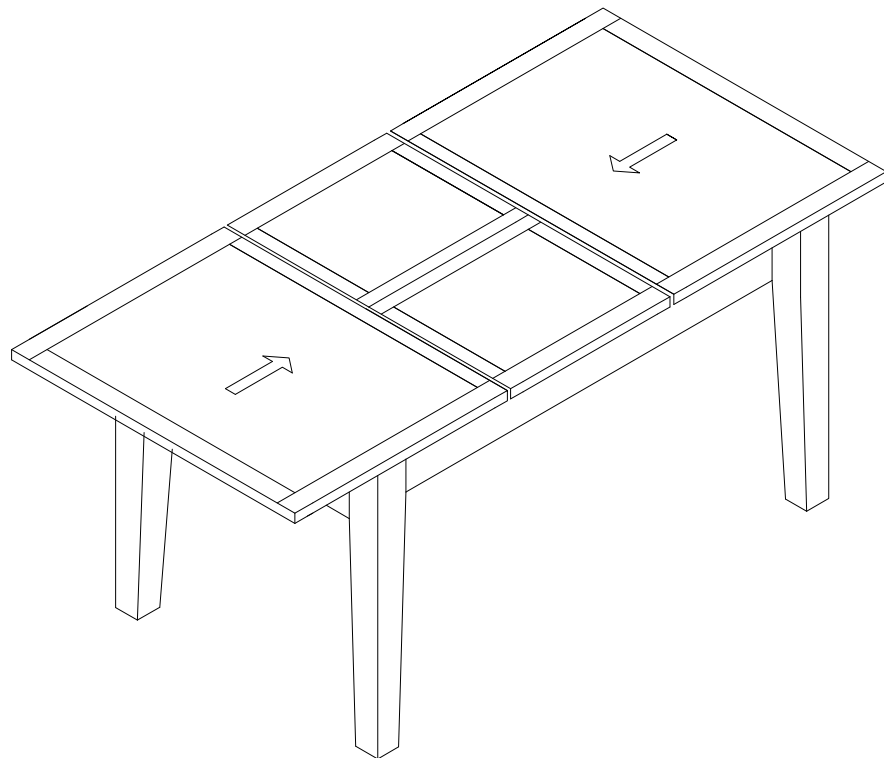
ITEM : JS690

DATE :

STEP 5



STEP 6



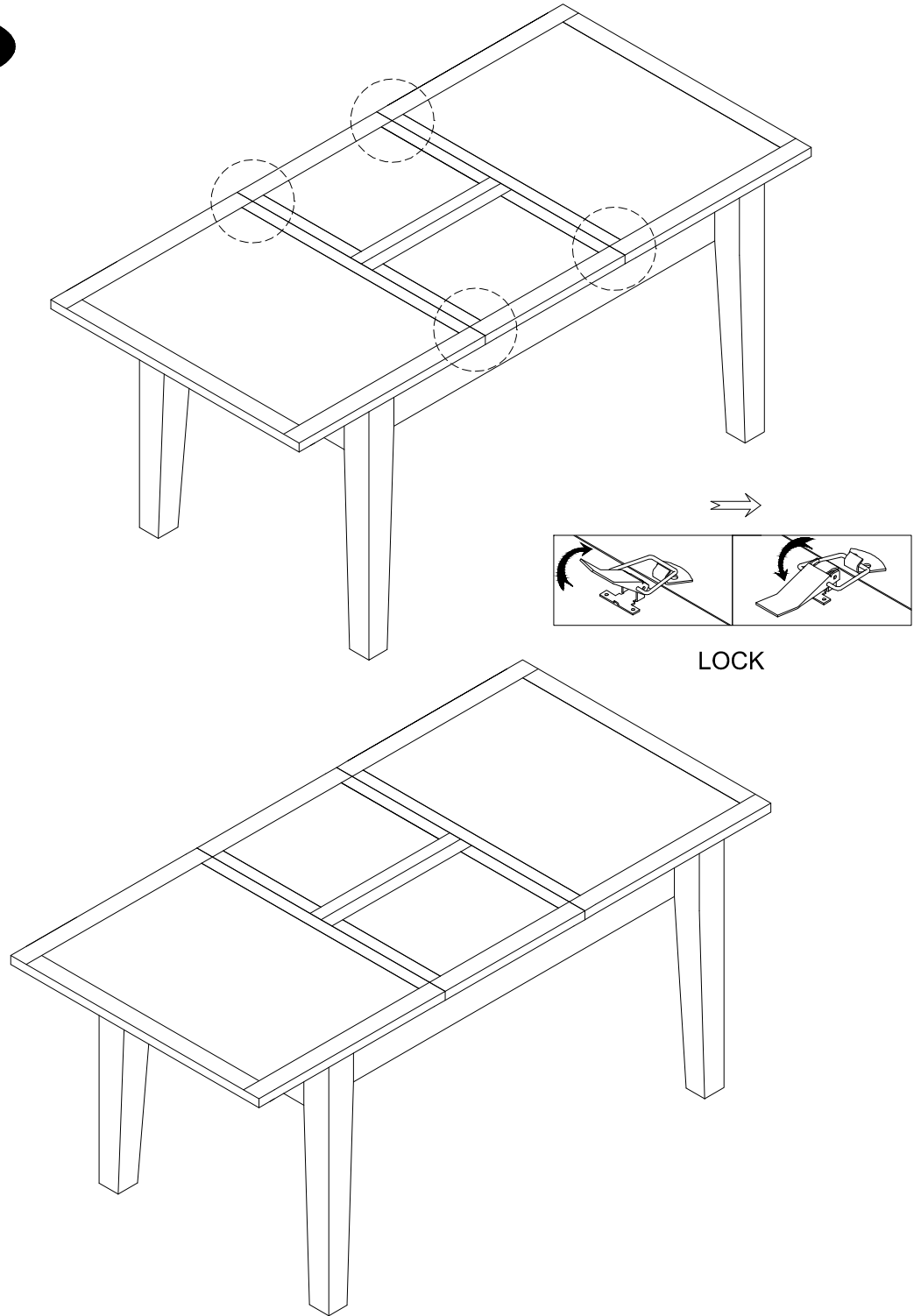
# ASSEMBLY INSTRUCTION

DESCRIPTION : ASHDAWN EXTENDING DINING  
TABLE

ITEM : JS690

DATE :

STEP 7





# ASSEMBLY

# INSTRUCTION

DESCRIPTION : ASHDAWN EXTENDING DINING  
TABLE

ITEM : JS690

DATE :

## IMPORTANT - READ CAREFULLY - RETAIN FOR FUTURE REFERENCE

*Please note that the product you have purchased is a natural living timber.*

*Just like nature itself, wood varies in shape and colour. Knots, vein patterns, resin pockets and colour differences contribute to giving the piece of furniture its beauty and form a natural part of solid wood.*

*Although the tree has been cut down and dried, it is still alive and therefore will react to high and low temperatures, light, humidity, drought and time.*

*In cold and dry periods, the wood contracts which may lead to small cracks in the piece of furniture. The reverse happens in warm and humid periods where the wood expands and this may result in slight unevenness.*

*The colour of the wood also changes with time, particularly if the furniture is placed in a light place. This is natural process and part of owning a piece of furniture made of solid wood.*

*Any flexing that has occurred during transport will re-correct its self once this product is correctly assembled.*

*Tighten all joins of furniture after six months. Please keep these instructions in a safe place for future use.*