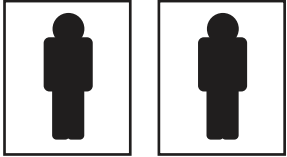


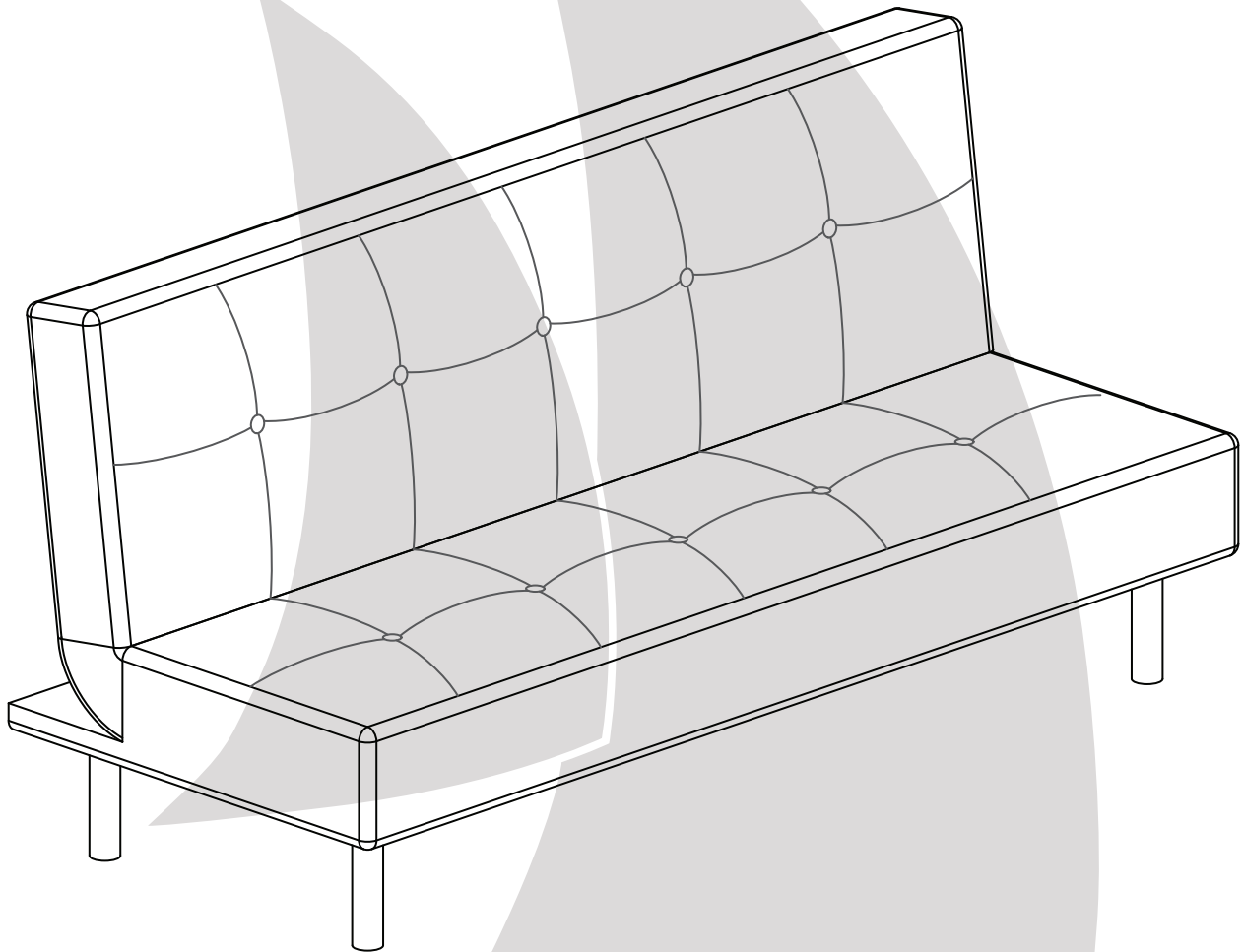
BAILEY CLICK CLACK SOFABED Assembly Instructions



People needed for assembly



Estimated 30 mins



ADDITIONAL TOOLS (not supplied)



Philips head screwdriver

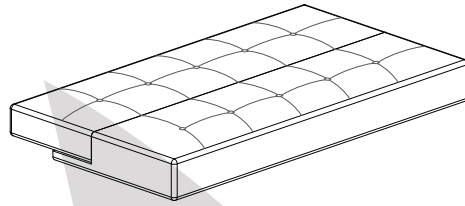
IMPORTANT: Read these instructions carefully before attempting to assemble.
Retain these instructions for future reference.

BAILEY CLICK CLACK SOFABED Assembly Instructions

COMPONENT CHECKLIST

1

Seat



1 pc

2

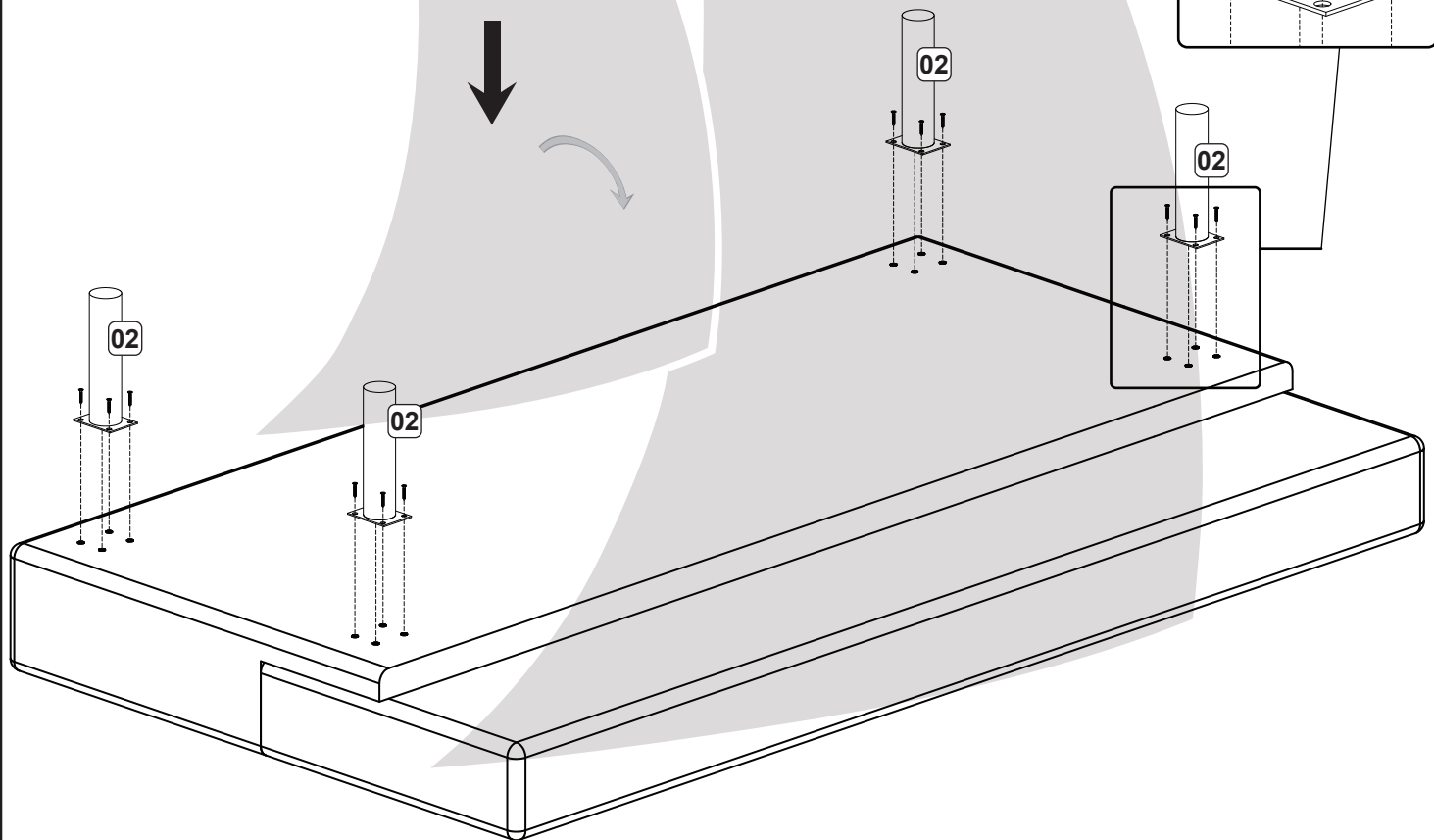
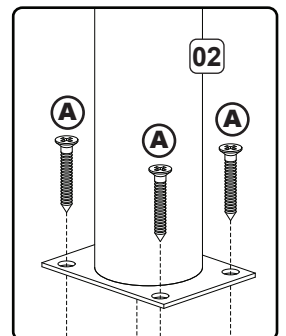
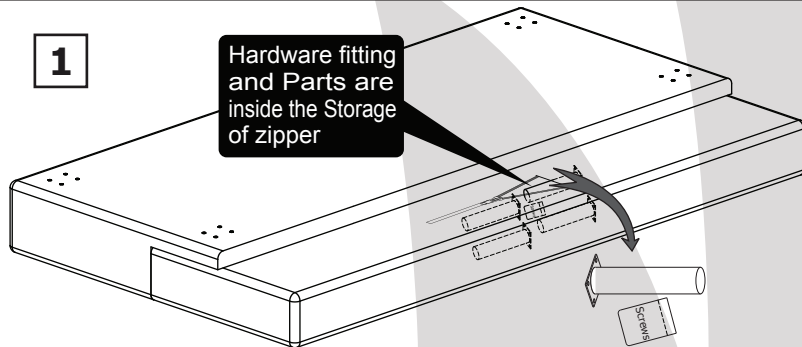
Legs



4 pcs

1

Hardware fitting
and Parts are
inside the Storage
of zipper



(A)



Screws(4X30mm) 16 pcs

(B)



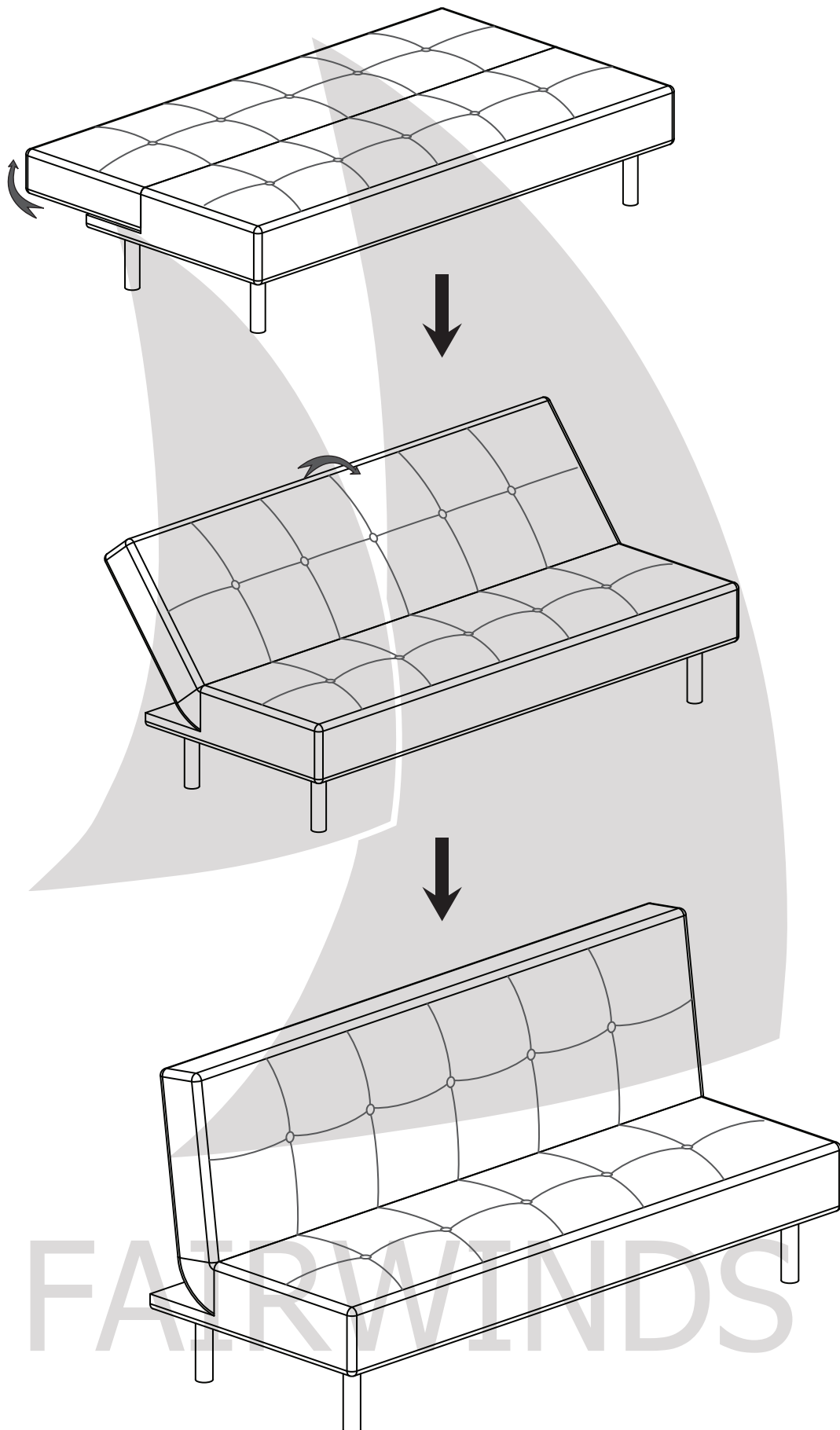
Screws(4X25mm) 12 pcs

FITTINGS

Ruler - Use this ruler to help correctly identify the screws.



2



Health and safety

- Assemble on a soft level surface to avoid damaging the unit or your floor.
- This product should not be used if any parts are missing or broken.
- All fixings should be checked and tightened before use and periodically tightened.
- Do not strike with a sharp implement.
- Do not allow product to become wet.
- Always use on a level and even surface.

How do I care for the bailey click clack sofabed

- Wipe clean with a moist cloth
- Do not use abrasive cleaners.



FAIRWINDS