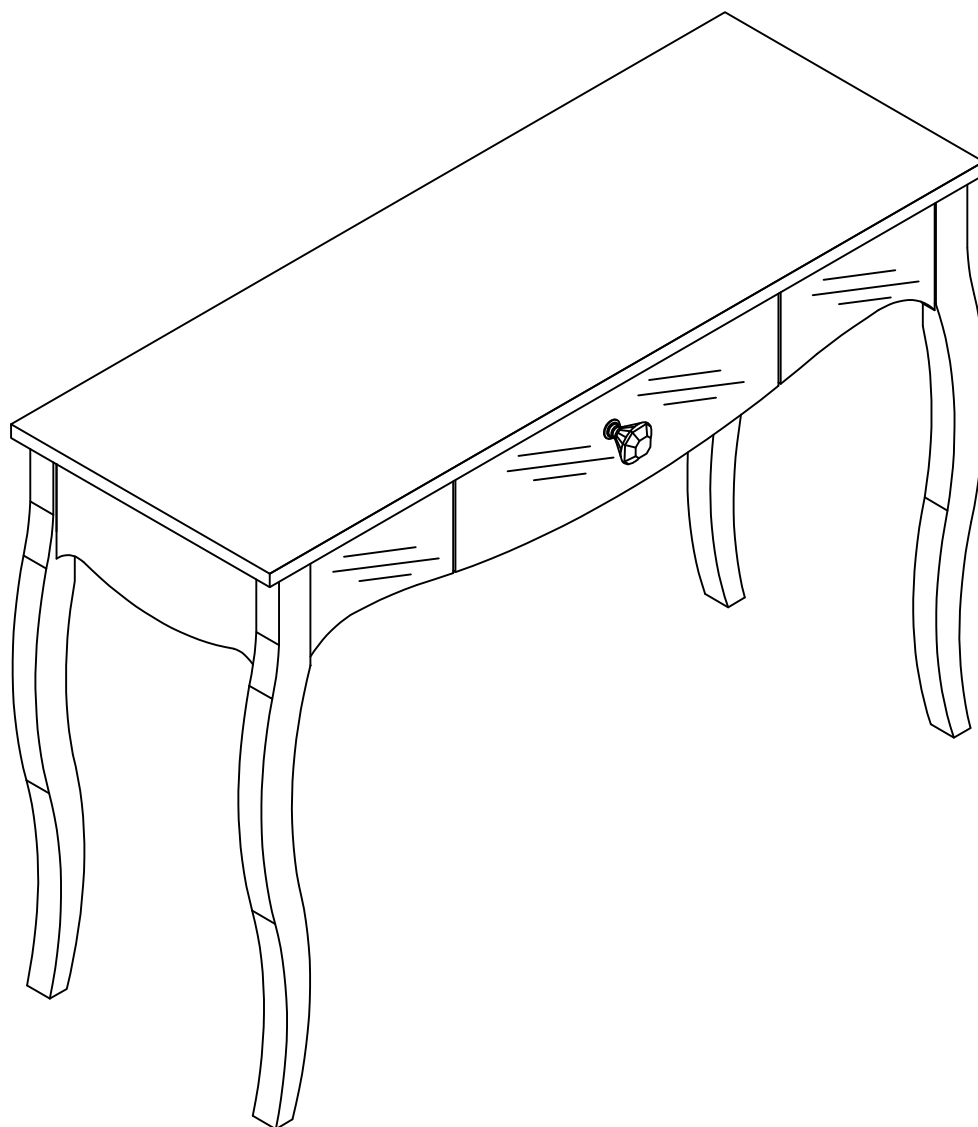


ELISE DRESSING TABLE

Assembly Instructions - Please keep for future reference

Cat No

SG826



Dimensions	No. people	Assembly Time
Width: 110.0cm Depth: 39.6cm Height: 77.3cm		20Minutes (approx.)

Important - Please read these instructions fully before starting assembly

If you need help or have damaged or missing parts, call the JDW Customer Helpline: 0871 231 2000

Safety and Care Advice

Important - Please read these instructions fully before starting assembly

- Check you have all the components and tools listed on next pages.
- Remove all fittings from the plastic bags and separate them into their groups.
- Keep children and animals away from the work area, small parts could choke if swallowed.
- Make sure you have enough space to lay out the parts before starting.
- Do not stand or put weight on the product, this could cause damage.
- Assemble the item as close to its final position (in the same room) as possible.
- Assemble on a soft, level surface to avoid damaging the unit or your floor.
- We do not recommend the use of power drill/drivers for inserting screws, as this could damage the unit. Only use hand screwdrivers.



- Dispose of all packaging carefully and responsibly.
- Warning : Do not over tighten the handle screw that way break the mirror.

Care and Maintenance

- Please clean using cloth with glass cleaner, do not use bleach or abrasive cleaners.
- From time to time check that there are no loose screws on this unit.
- This product should not be discarded with household waste. Take to your local authority waste disposal centre.

If you have damaged or missing components, call the JD Williams Customer Helpline on 0871 231 2000

If you are unhappy with the product and wish to return it, please follow the retailer's returns procedure.



Warning

Important - In order to help prevent overturning, this product must be used with the wall anti-tip strap/device provided.

To help prevent product toppling over please follow the below steps :

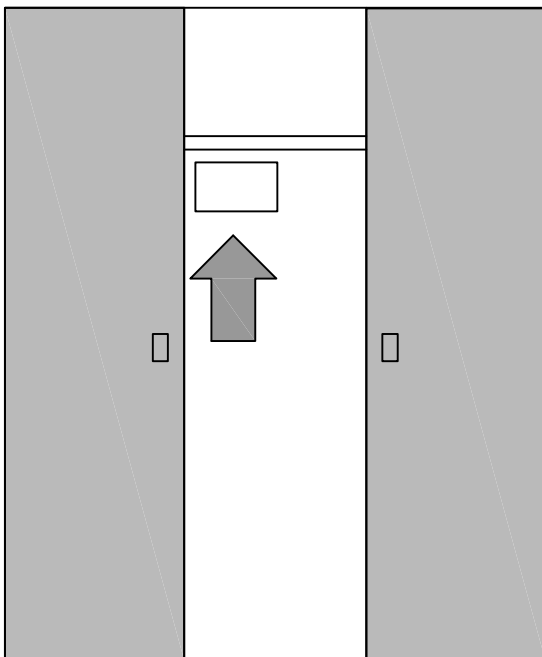
- Use the anti-tip strap/device provided.
- Do not allow children to climb or hang on the furniture.
- Do not open more than one drawer at a time.
- Do not place heavy items in the top drawer.
- Do not place heavy items on the top of furniture, unless the furniture has been designated for this purpose.

Please note that the only anti-tip strap/devices and screw are provided, you will need to provide wall plugs and screws applicable for your wall type.

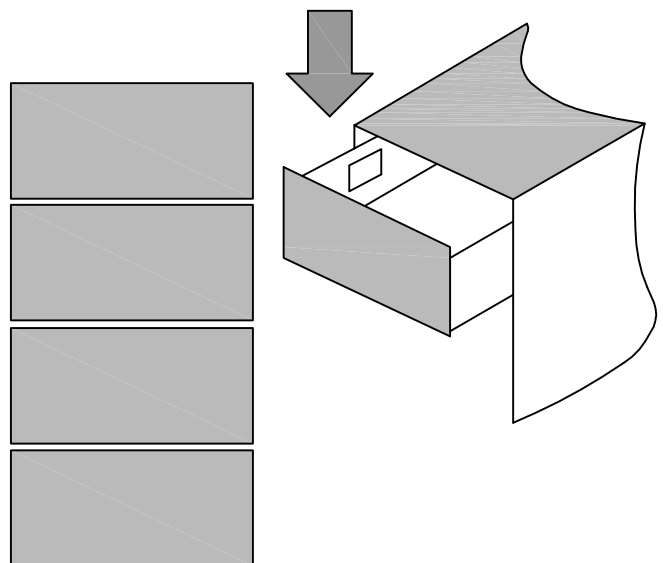
PLEASE DO NOT REMOVE THE PERMANENT SAFETY LABEL FROM YOUR FURNITURE !

Permanent Label Assembly Location

1. Wardrobe/Cabinet without Drawer :
Inside back panel visible/below the shelf.

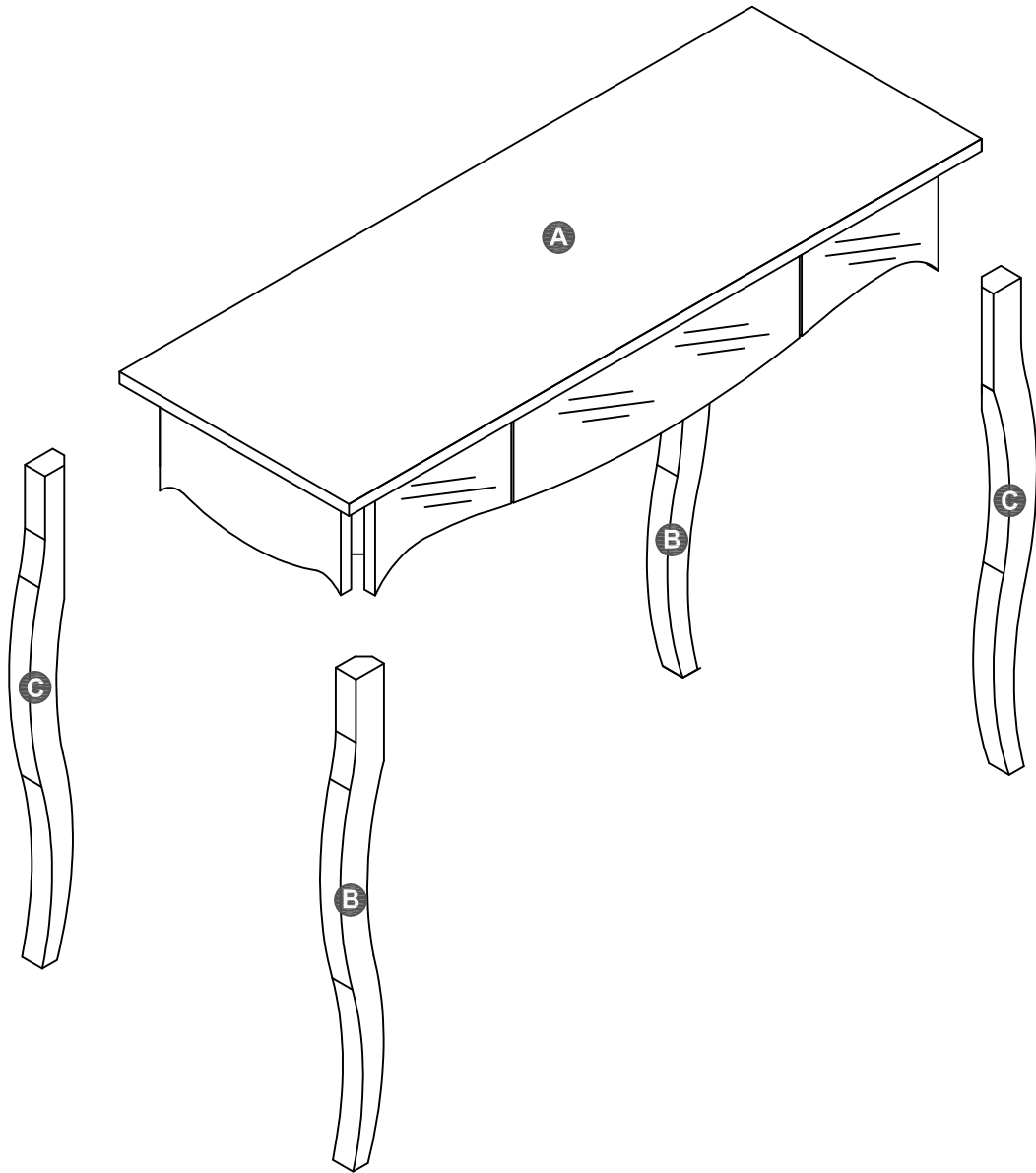


2. Chest of Drawer/sideboard/Unit with Drawer :
Top drawer on the inside side of drawer wrap.



Note: For uncommon furniture design, the location of safety permanent label may differ.

Exploded View



Components - Panels

Please check that you have all the components listed below before constructing your items.





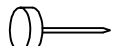
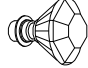
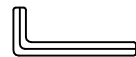
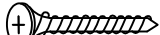

Part No	Description	Qty
A	Top	1
B	Leg	2
C	Leg	2

Components - Fixings

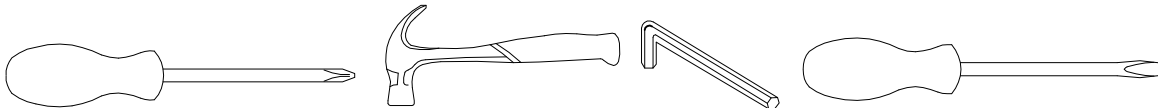
Please check that you have all the components listed below before constructing your items.

Note: The quantities below are the correct amount to complete the assembly. In some cases more fittings may be supplied than are required.

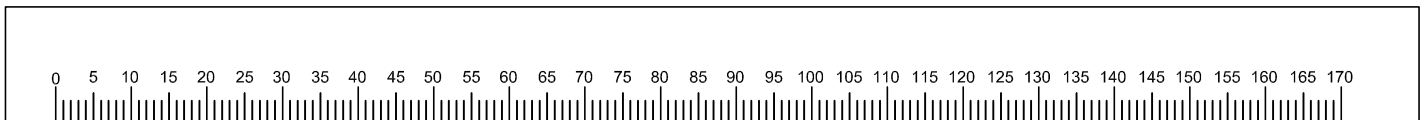
*Hardware packed separately according to the code.

(A)	JCBC M6x55mm  8 units	(B)	Screw M4x20mm  1 unit	(C)	Spring Washer M6  8 units	(D)	Flat Washer M6  8 units
(E)	Nail Leg  4 units	(F)	Handle  1 unit	(G)	Allen Key M4  1 unit	(H)	CSK M4 x 25mm  1 unit
(I)	Safety Strap + Washer  1 unit						

Tools Required







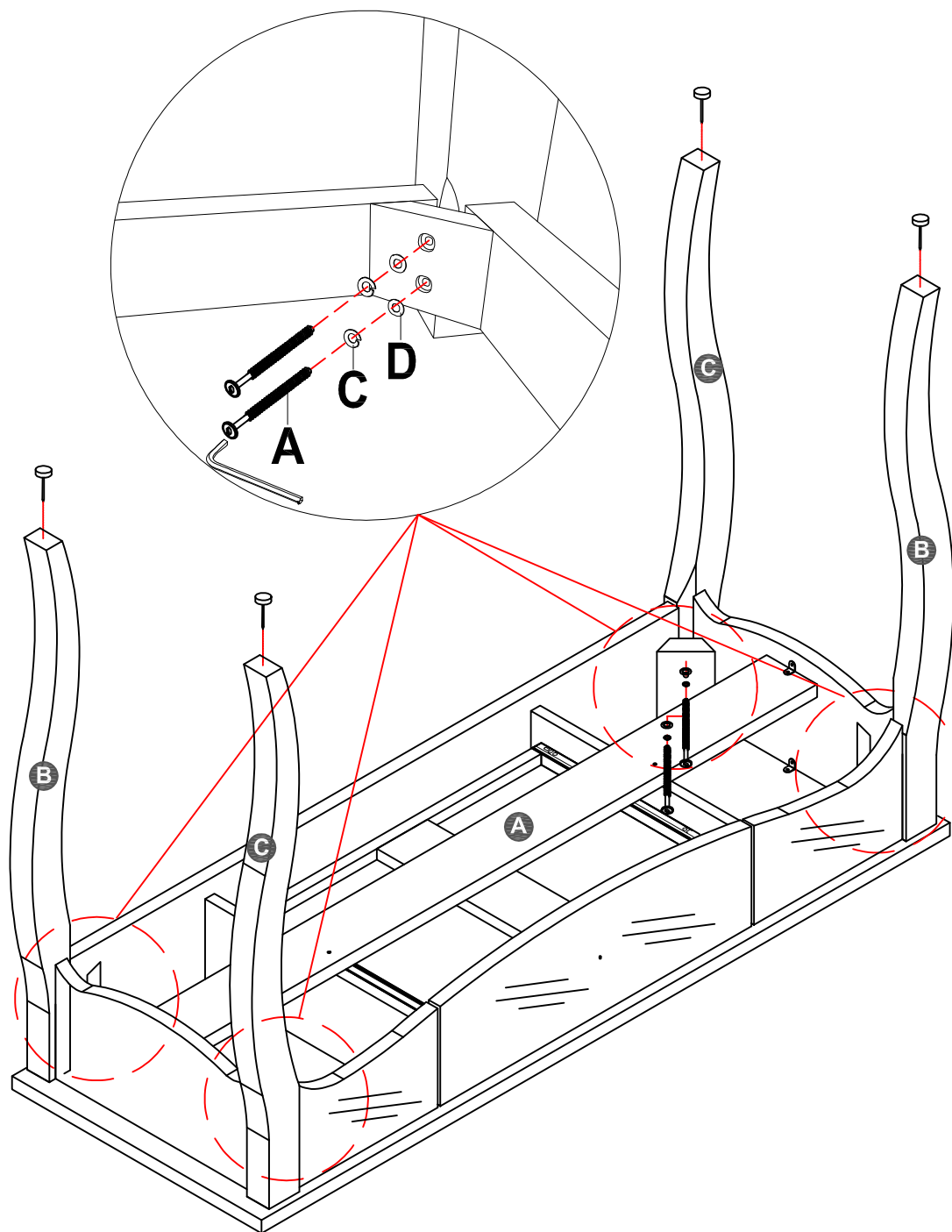
Ruler - Use this to measure your screws (mm)





Assembly Instructions

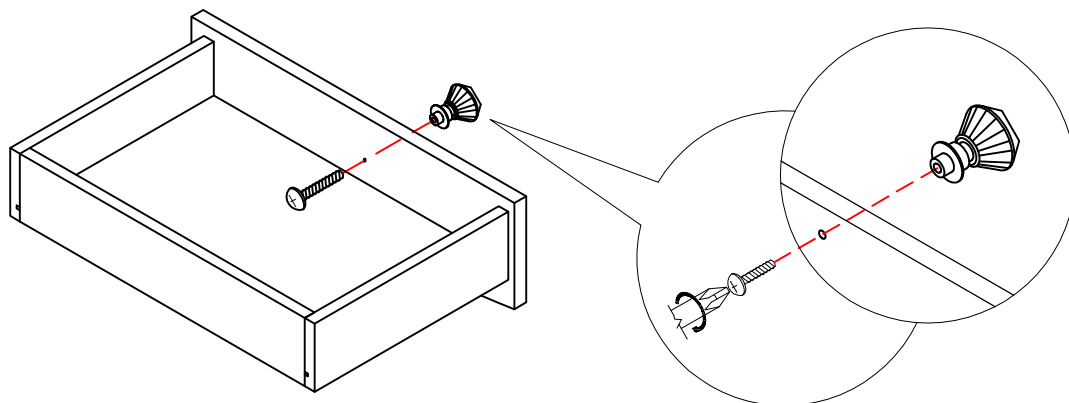
Step 1

			
E x 4	D x 8	C x 8	A x 8

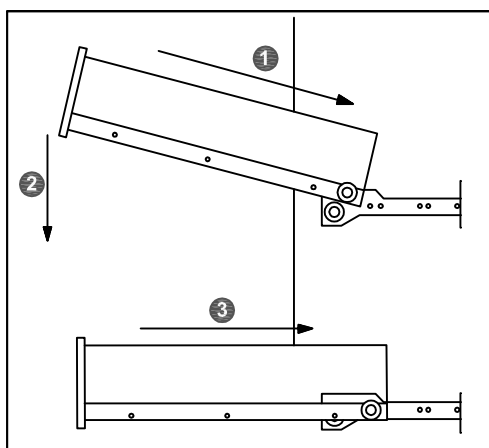
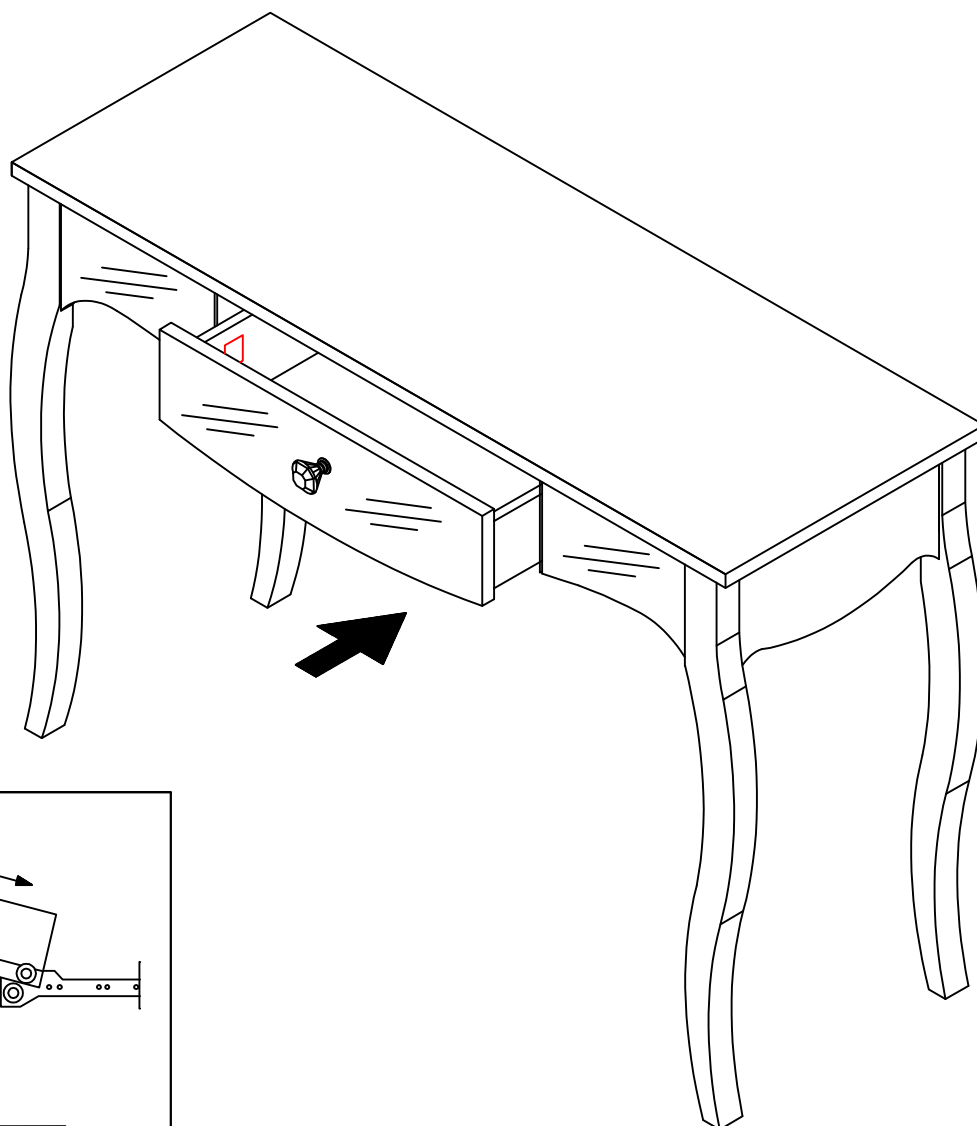


Step 2

	
F x 1	B x 1

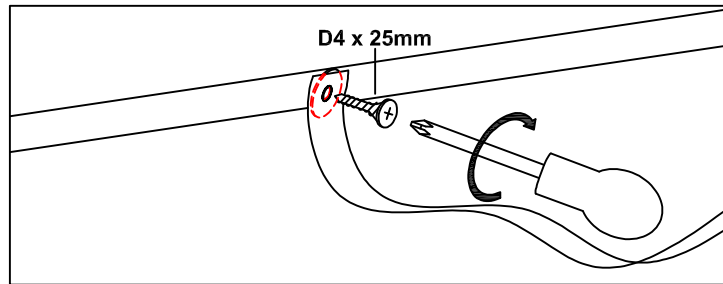


Step 3

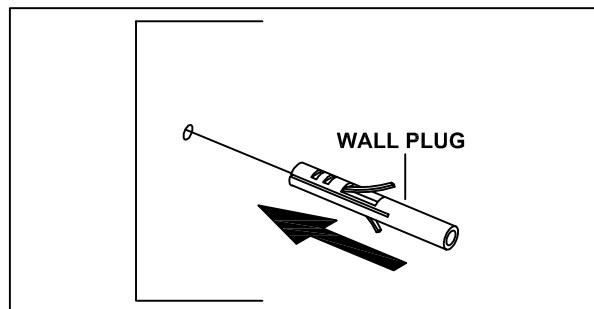


FITTING OF ANTI-TIP SAFETY STRAP

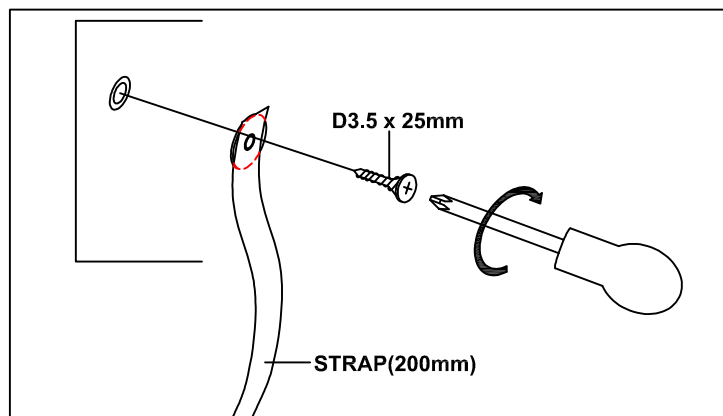
STEP 1:
Pull the screw in
the top panel hole
of your furniture



STEP 2:
Make a hole on
the wall and pull
the wall plug in



STEP 3:
Pull the screw in
the wall plug hole



NOTE : Wall fixing are not supplied with this product as different wall materials require different types of fixing devices (such as Rawl plugs on brick work). You must use fixing devices suitable for the type of wall you intend to mount this product to. Please ensure that the head of any screw used has a diameter greater than the diameter of the mounting hole on the product and that the fixing is safe and secure before use.

The straps and screws which to fix the strap on to the furniture are provided only.

HARDWARE LIST



STRAP(200mm)-1Pc



D4 x 25mm-1Pc