

# Assembly Instruction

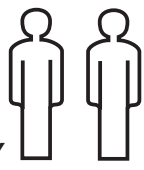
## DESCRIPTION: RIGA 5 + 5 WIDE CHEST

SG797

2.0 hr

APPROXIMATE ASSEMBLY TIME

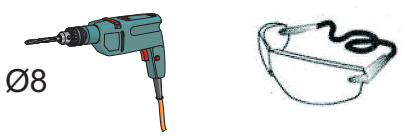
2 PERSON ASSEMBLY



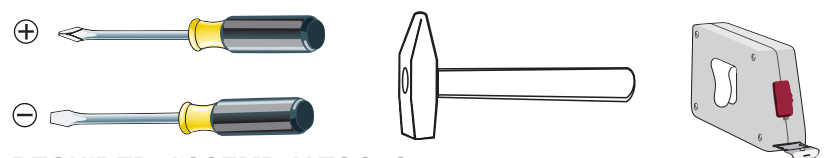
FLOOR AREA  
2.0 M x 2.0 M



REQUIRED ASSEMBLY SPACE

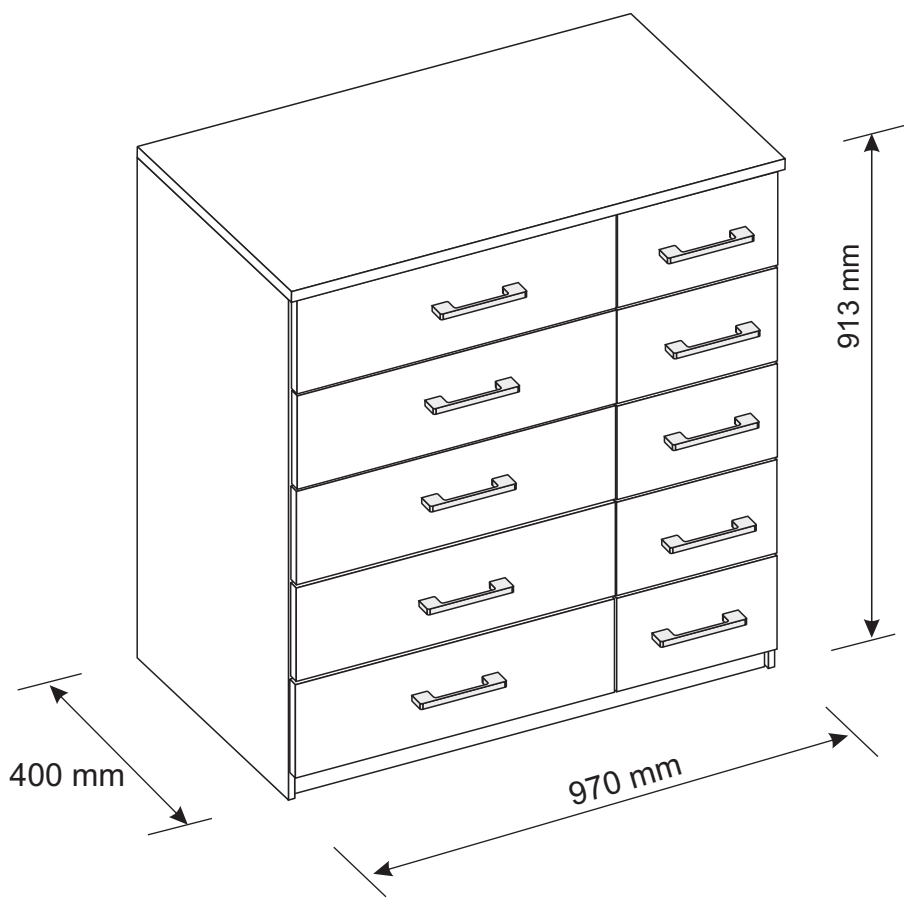


FOR WALL STRAP ATTACHMENT ONLY



REQUIRED ASSEMBLY TOOLS

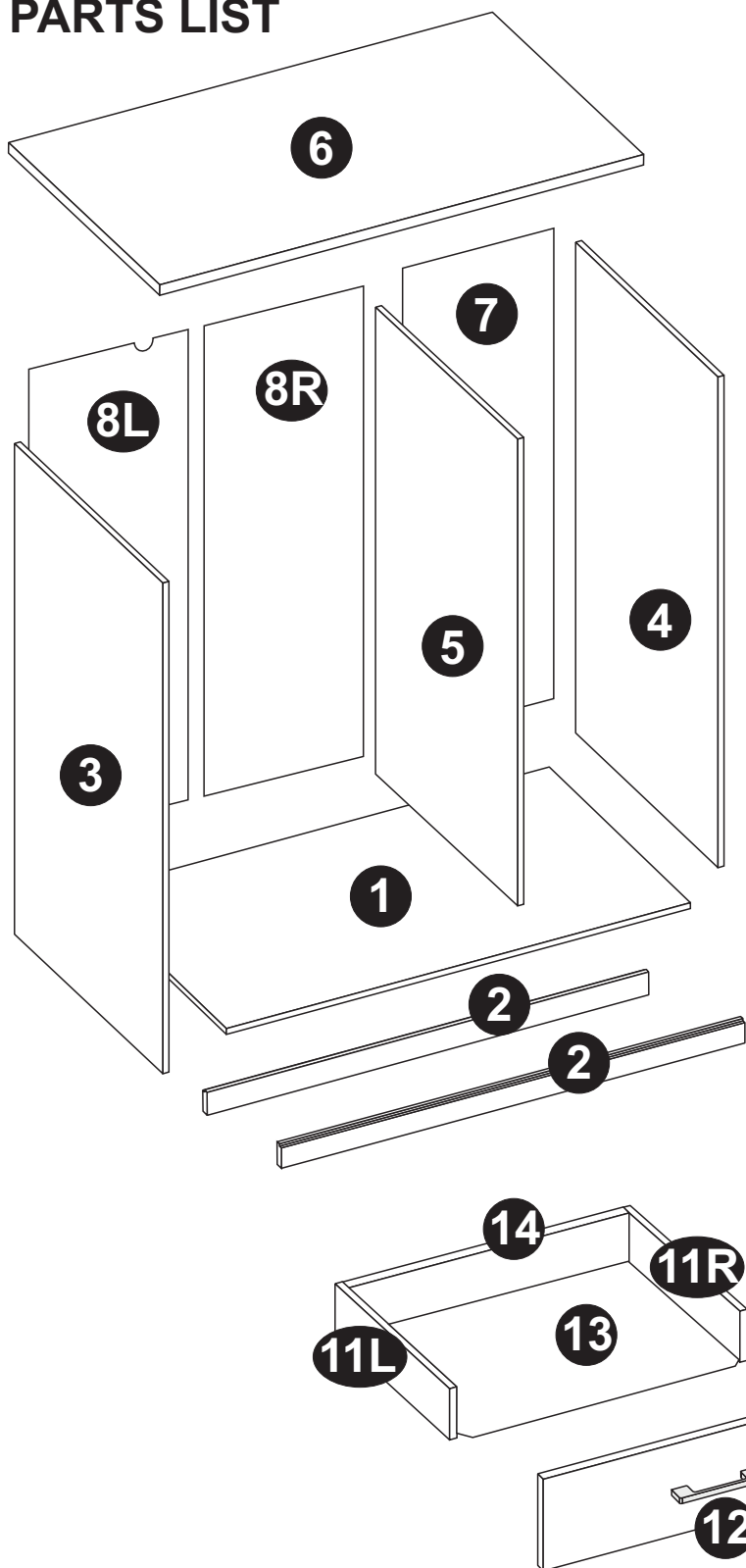
### ASSEMBLED DIMENSIONS



# Assembly Instruction

## DESCRIPTION: RIGA 5 + 5 WIDE CHEST

### PARTS LIST





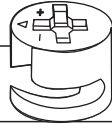
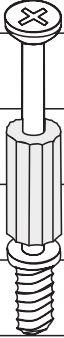
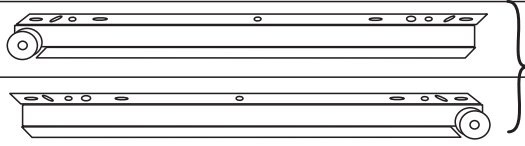
NO.	PART LIST	QTY
(1)	LOWER TOP PANEL	1
(2)	PLINTH	2
(3)	LEFT SIDE PANEL	1
(4)	RIGHT SIDE PANEL	1
(5)	VERTICAL DIVIDER	1
(6)	UPPER TOP PANEL	1
(7)	BACK PANEL 340x832mm	1
(8L)	LEFT BACK PANEL 304x832mm	1
(8R)	MIDDLE BACK PANEL 304x832mm	1
(9)	SMALL DRAWER FRONT	5
(10)	SMALL DRAWER BOTTOM	5
(11)	SMALL DRAWER BACK	5
(11L)	LEFT DRAWER SIDE	10
(11R)	RIGHT DRAWER SIDE	10
(12)	LONG DRAWER FRONT	5
(13)	LONG DRAWER BOTTOM	5
(14)	LONG DRAWER BACK	5

# Assembly Instruction


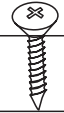


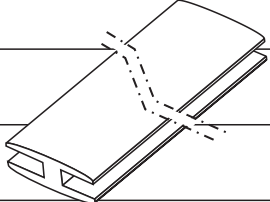
## DESCRIPTION: RIGA 5 + 5 WIDE CHEST

### HARDWARE LIST

**DO NOT MIX CONTENT OF HARDWARE BOXES**

					ATTACH TO DRAWER
					
1x	12x 8x28mm	10x	10x	10x Left / 10x Right	
A	B	C	D	E L=350mm	
GLUE	DOWEL	CAM LOCK	CAM BOLT	ROLLER RUNNER	
BAG 1	BAG 1	BAG 1	BAG 1	BAG 2	



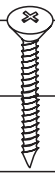

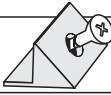
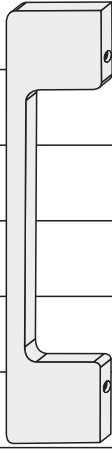
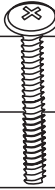
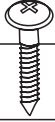
				
20x 6,3x11mm	20x 3,5x13mm	20x 6,3x9mm	2x 7x50mm	1x L=819mm
F	G	H	I	J1
SCREW	SCREW	SCREW	CONFIRMAT SCREW	BACK PANEL CONNECTOR
BAG 2	BAG 2	BAG 2	BAG 1	


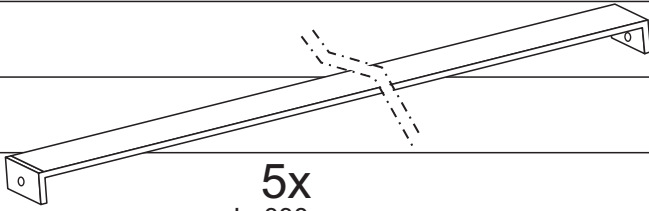
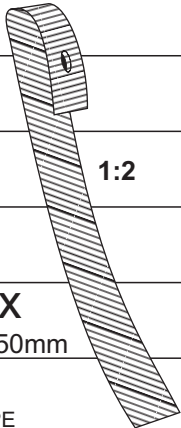

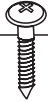
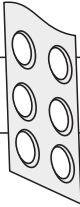
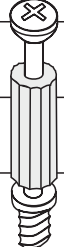
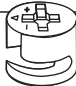
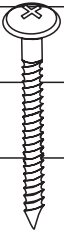
# Assembly Instruction

## DESCRIPTION: RIGA 5 + 5 WIDE CHEST

### HARDWARE LIST

DO NOT MIX CONTENT OF HARDWARE BOXES

					
8x 3,0x20mm	8x	8x	10x L=128mm	20x M4x22mm	50x 3,0x13mm
<b>J</b>	<b>K</b>	<b>L</b>	<b>M</b>	<b>N</b>	<b>O</b>
SCREW BAG 1	METAL PLATE BAG 1	PLASTIC SUPPORT BAG 1	HANDLE BAG 3	SCREW BAG 3	SCREW BAG 2

							
	5x L=338mm						
	<b>R</b>						
	DRAWER BOTTOM SUPPORT BAG 2						
							
	1x 10x150mm	2x Ø15mm	1x 3,5x13mm	20x	20x 5x35mm	20x 12x10mm	20x 4x30mm
	<b>T</b>	<b>U</b>	<b>V</b>	<b>W</b>	<b>X</b>	<b>Y</b>	<b>Z</b>
	TAPE BAG 5	WASHER BAG 5	SCREW BAG 5	SILICON PEG BAG 1	CAM BOLT BAG 6	CAM LOCK BAG 6	SCREW BAG 6
	1:2						

### Top Tips before you start!

1. Please check that all parts are present before you start the assembly of your furniture, as once assembled, the furniture is exempt from our home approval policy.
2. For ease and speed of assembly, we recommend that before you commence each step of the assembly, that you identify all the parts required for that step.
3. For larger items, please ensure that you have sufficient space and people ( as indicated on page 1) to assemble your product safely.
4. We recommend that, where possible, all items are assembled near to the area in which they will be placed in use, to avoid moving the product unnecessarily once assembled.
5. For the protection of your furniture, particularly items of high gloss finish, we recommend that the product is placed on a protected surface during assembly to prevent any damage.
6. During assembly please take care not to over-tighten any fittings, as this may damage the product .

### Care and Maintenance of your Furniture

Please periodically check all fittings and re-tighten as necessary.

Please do not jump on your furniture.

To clean your item, please use a damp cloth and wipe clean.

Never allow any kind of liquid to remain on your furniture. Absorption can cause wood to warp or finishes to de-laminate.

# Assembly Instruction

## DESCRIPTION: RIGA 5 + 5 WIDE CHEST



**WHEN FITTING CAMS**  
ENSURE STARTING POSITION IS CORRECT  
BEFORE YOU INSERT CONNECTING BOLT  
TURN CLOCKWISE UNTIL SECURE

**CORRECT**      **WRONG**

**1** SCREW IN CAM SCREWS  
ONLY DOWN TO FIRST RING.

FLUSH WITH PANEL

**2** PRESS IN CAM LOCKS. ARROW ON CAM  
LOCK MUST FACE HOLE IN PANEL EDGE.

DO NOT INSERT DOWELS  
IN CAM SCREW / LOCK HOLES.

**3** PRESS PANELS TOGETHER ALIGNING  
DOWEL WITH HOLES, CAM SCREWS WITH LOCKS.

**4** TO SECURE PANELS,  
TURN CAM LOCKS 1/2 TURN CLOCKWISE.

CAM SHOWN IN  
LOCKED POSITION.

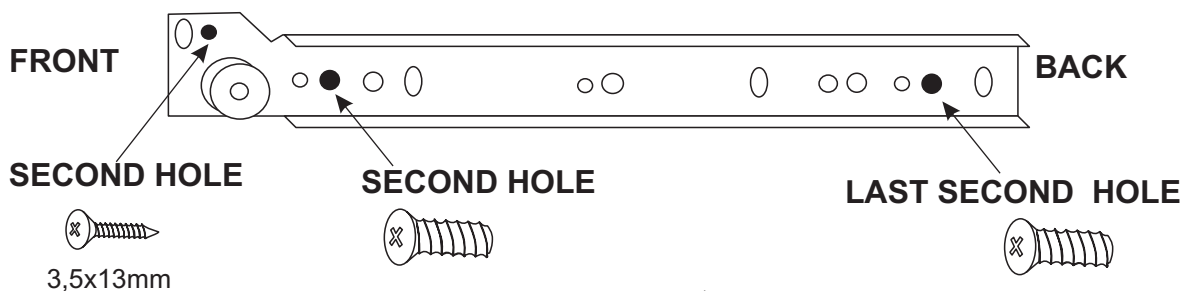
# Assembly Instruction

## DESCRIPTION: RIGA 5 + 5 WIDE CHEST

### ASSEMBLY INSTRUCTION FOR DRAWER SLIDE A&B

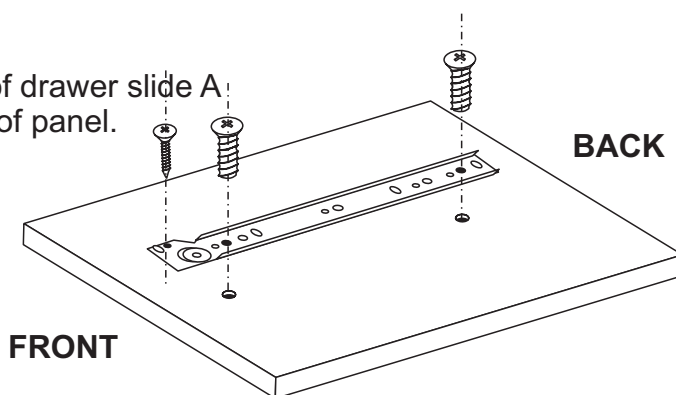
350mm

#### SPECIAL TIPS FOR DRAWER SLIDE A

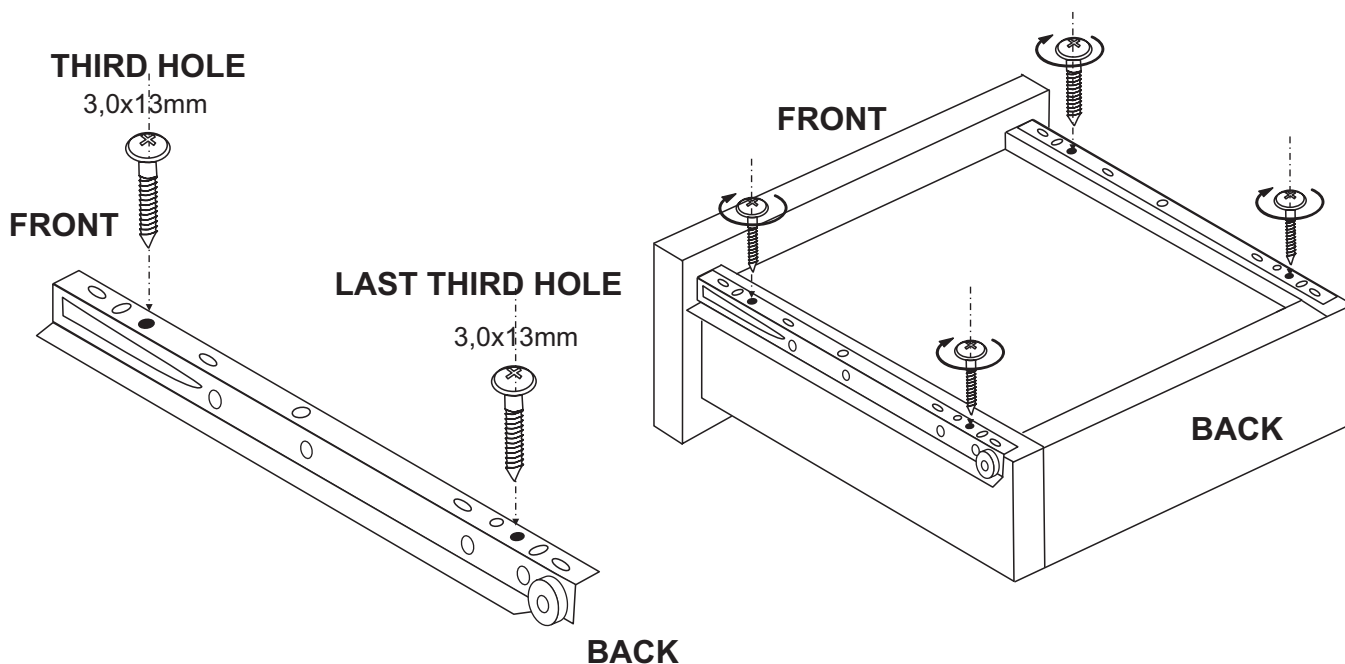


#### **ATTENTION !**

Make sure second hole of drawer slide A is put on first front hole of panel.

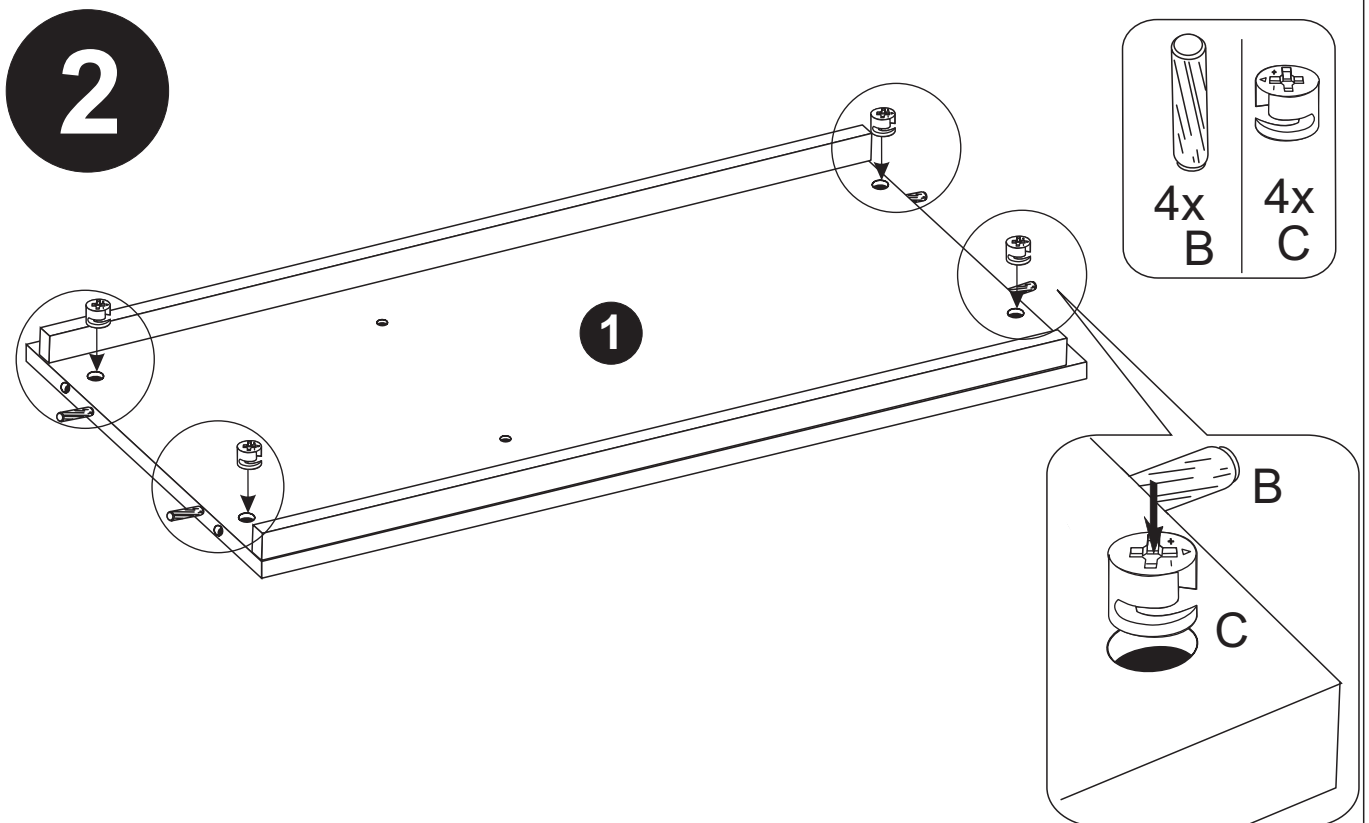
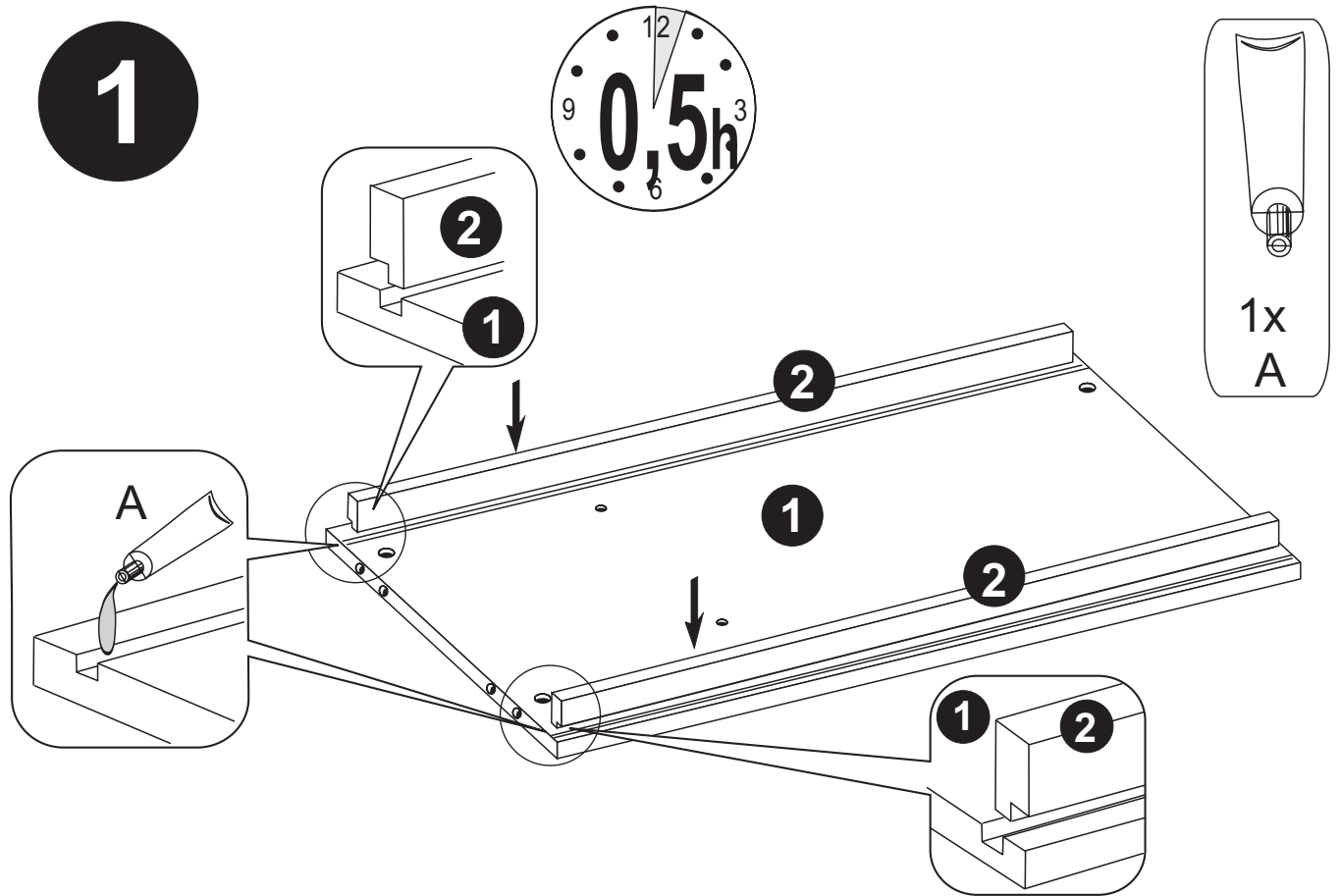


#### SPECIAL TIPS FOR DRAWER SLIDE B



# Assembly Instruction

## DESCRIPTION: RIGA 5 + 5 WIDE CHEST

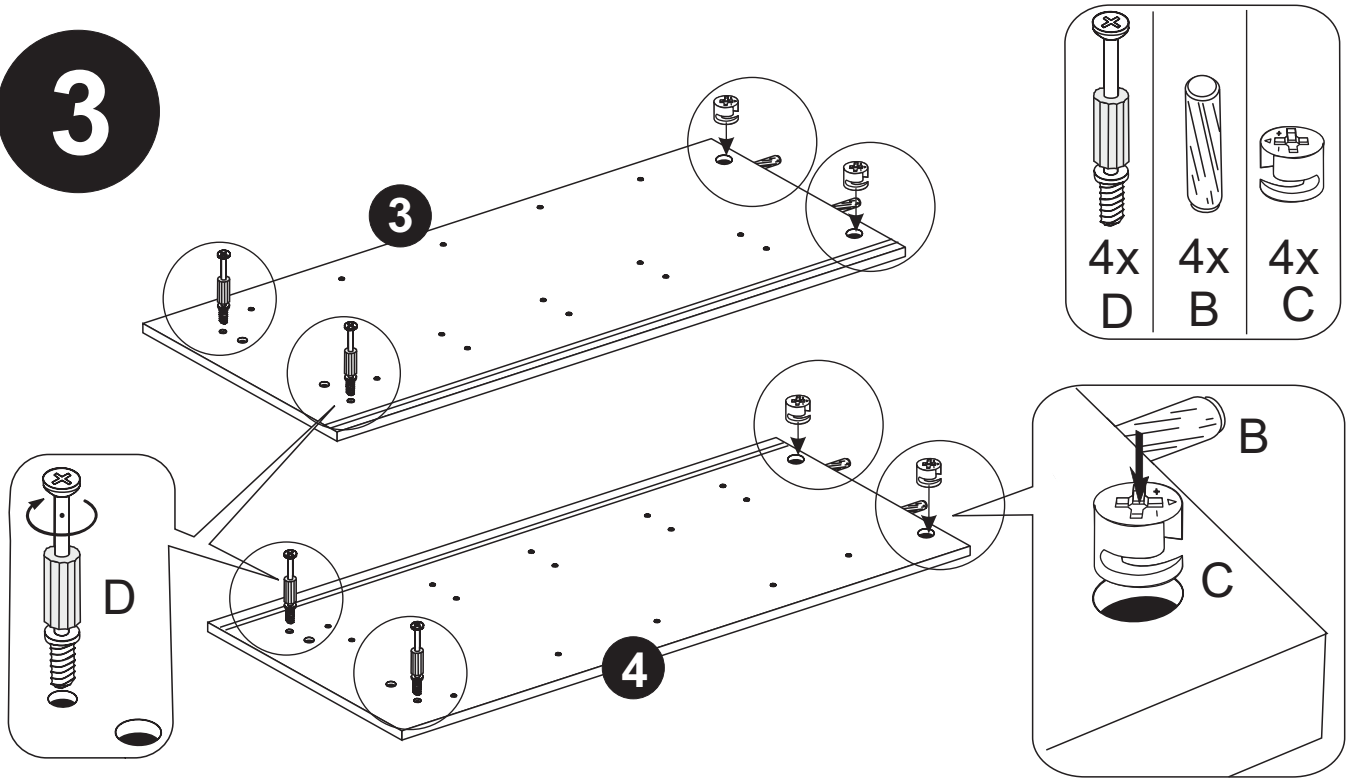




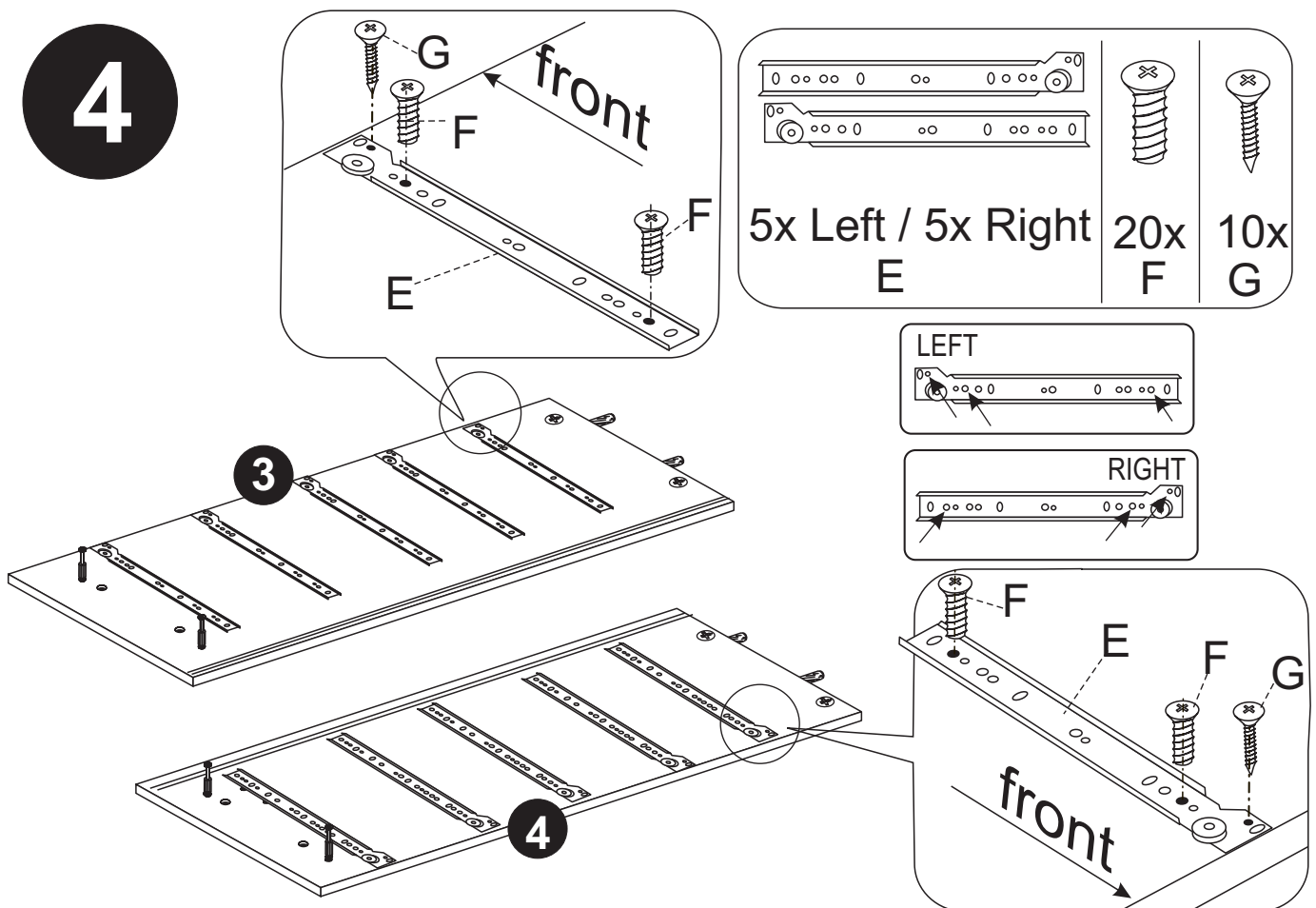
# Assembly Instruction

## DESCRIPTION: RIGA 5 + 5 WIDE CHEST

**3**



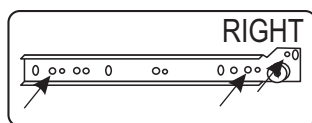
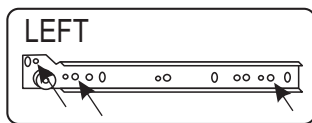
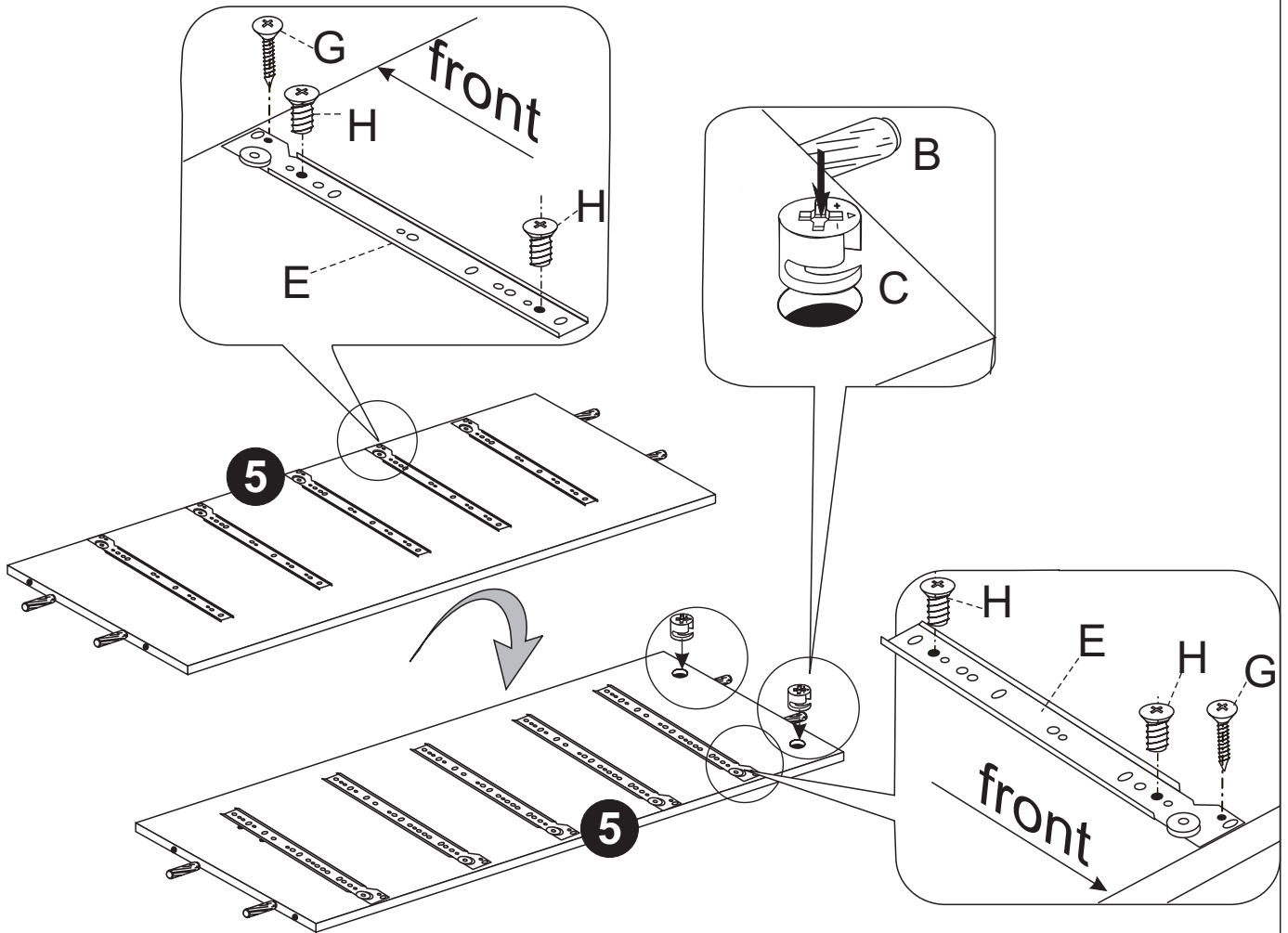
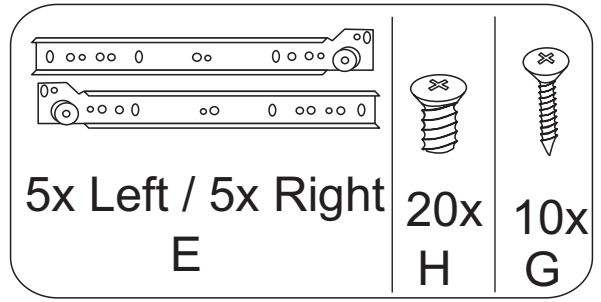
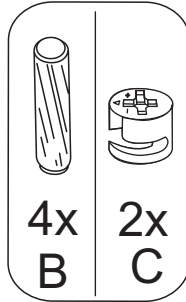
**4**



# Assembly Instruction

## DESCRIPTION: RIGA 5 + 5 WIDE CHEST

**5**

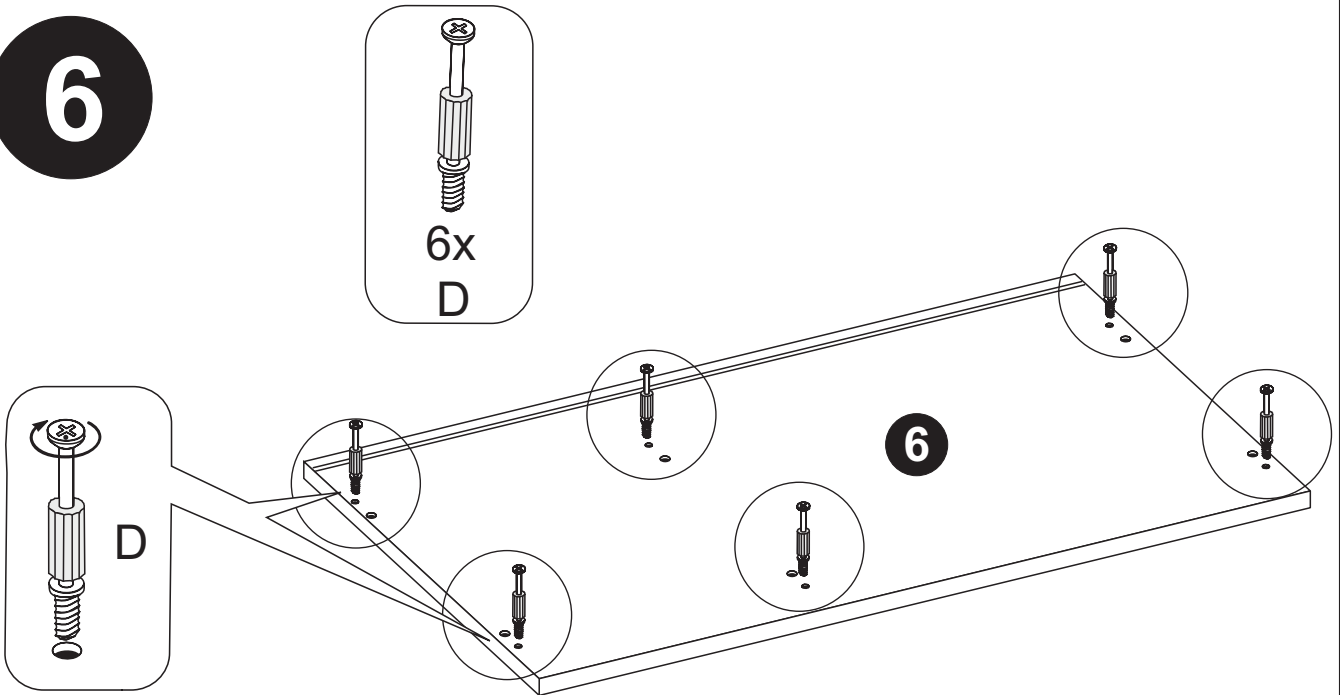


# Assembly Instruction

## DESCRIPTION: RIGA 5 + 5 WIDE CHEST

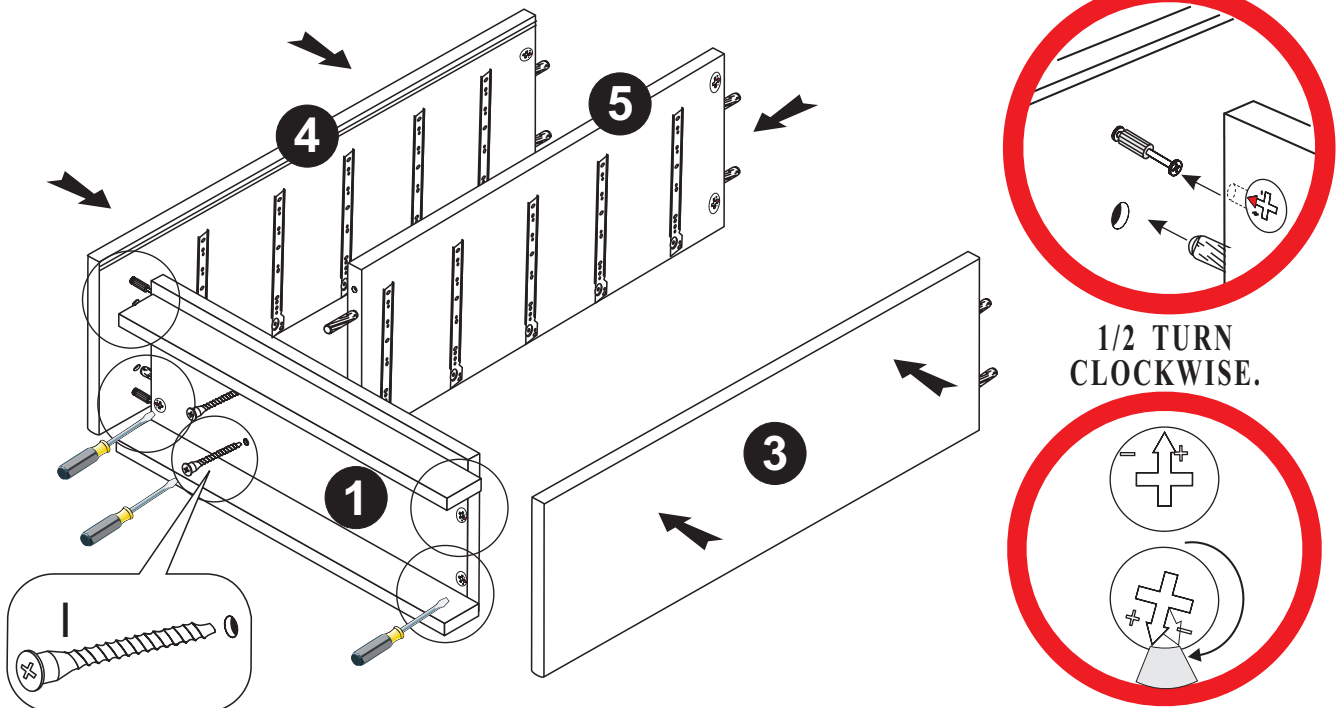
6

6x  
D



7

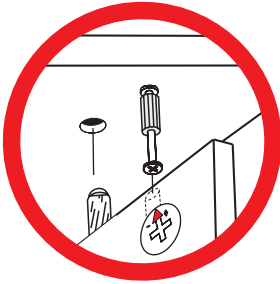
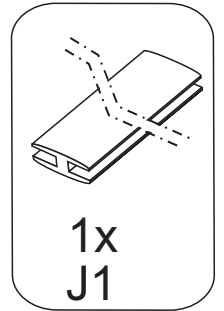
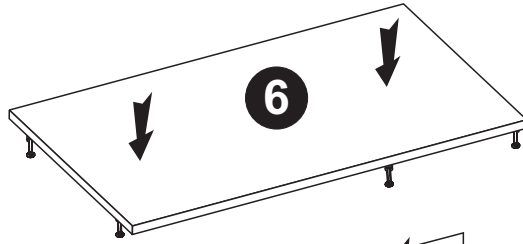
2x  
I



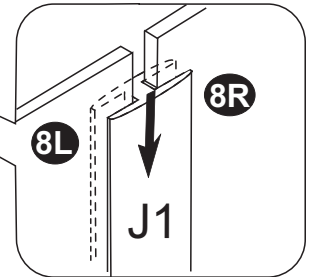
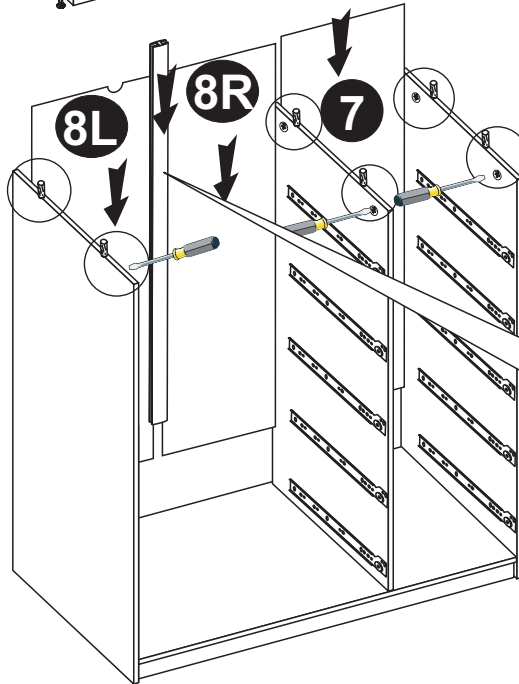
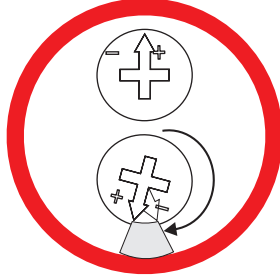
# Assembly Instruction

## DESCRIPTION: RIGA 5 + 5 WIDE CHEST

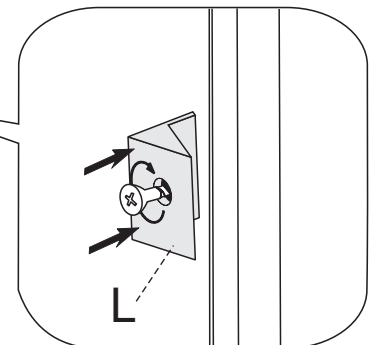
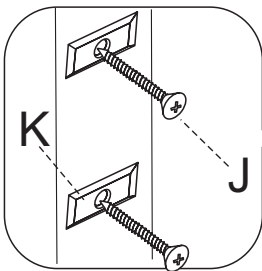
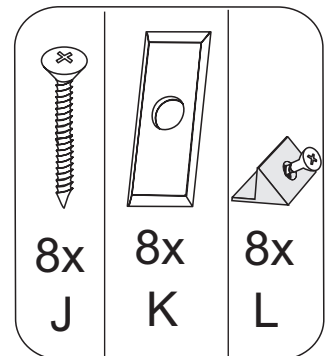
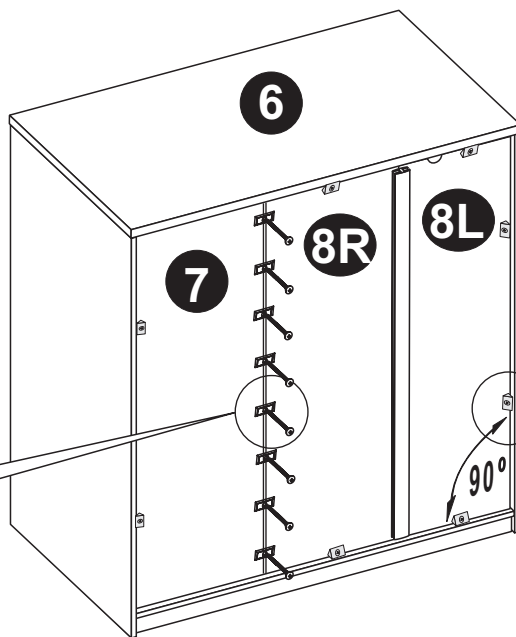
8



1/2 TURN  
CLOCKWISE.



9

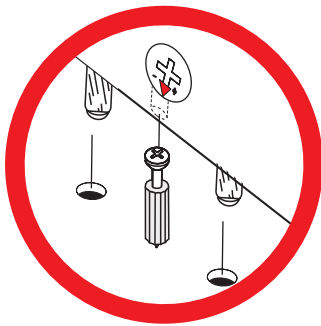
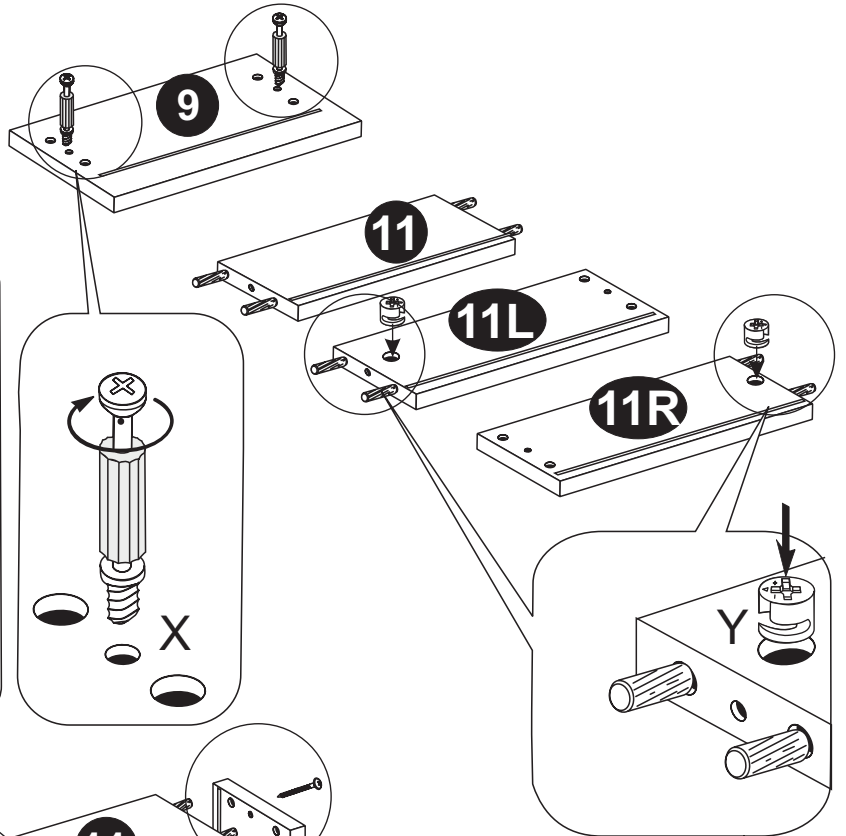
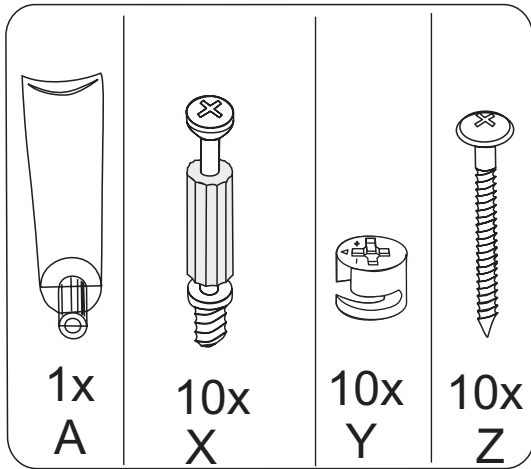


# Assembly Instruction

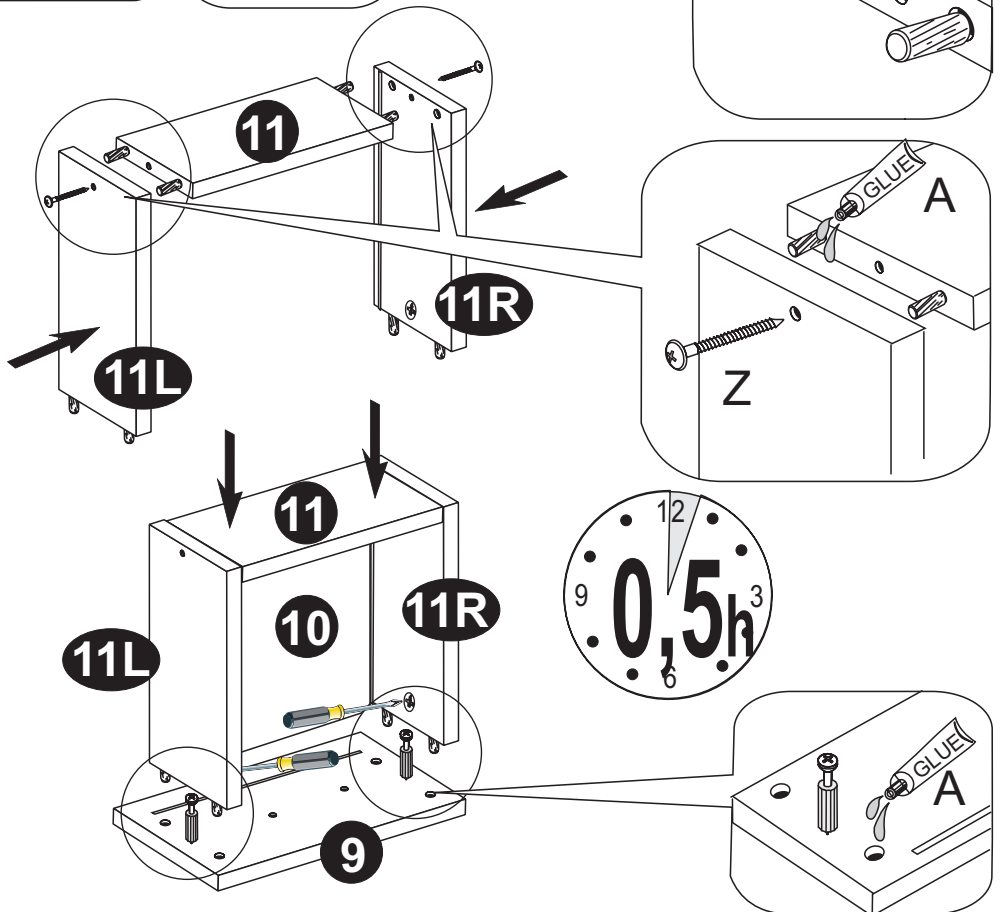
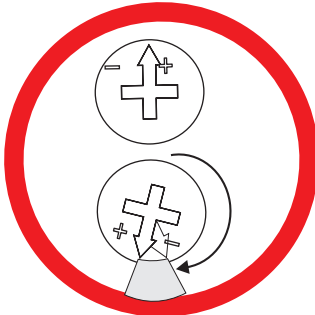
**DESCRIPTION:**  
**RIGA**  
**5 + 5 WIDE CHEST**

**10**

DO THIS STEP FIVE TIMES (5x)



1/2 TURN  
CLOCKWISE.

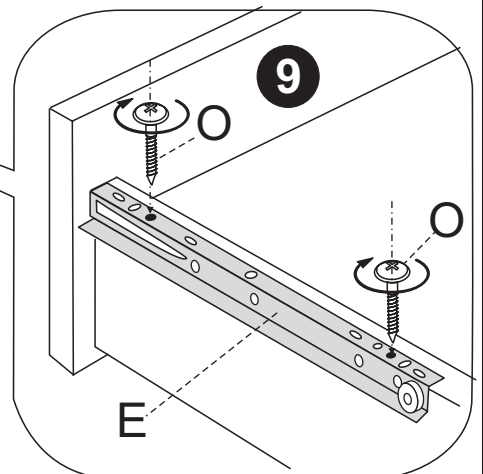
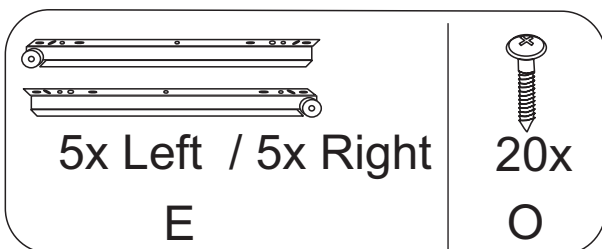
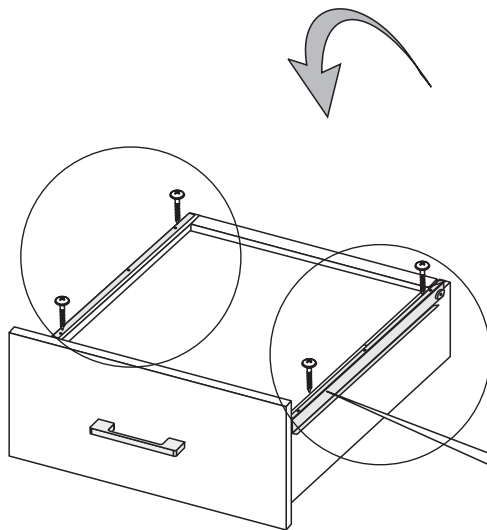
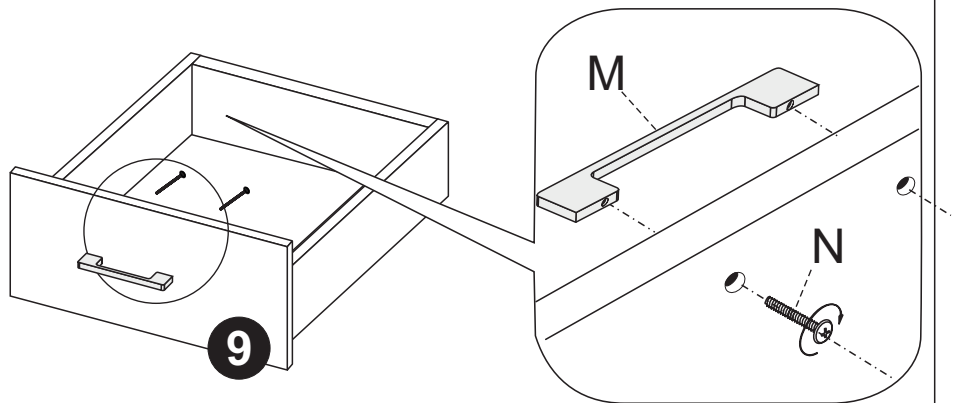
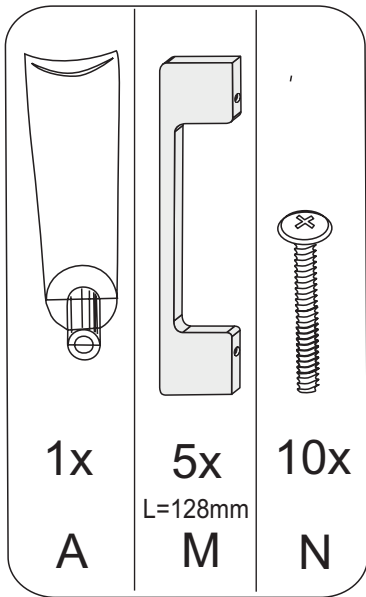


# Assembly Instruction

## DESCRIPTION: RIGA 5 + 5 WIDE CHEST

# 11

DO THIS STEP FIVE TIMES (5x)

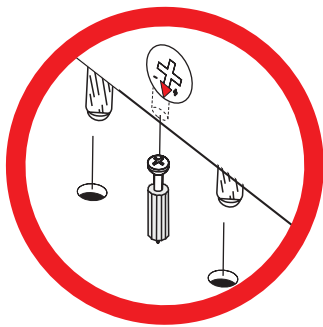
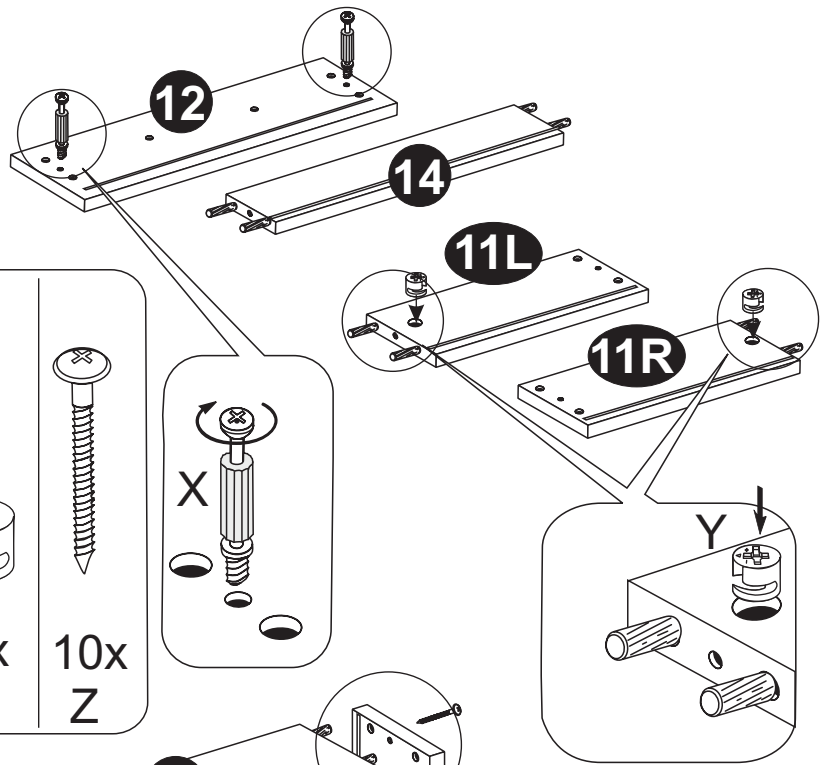
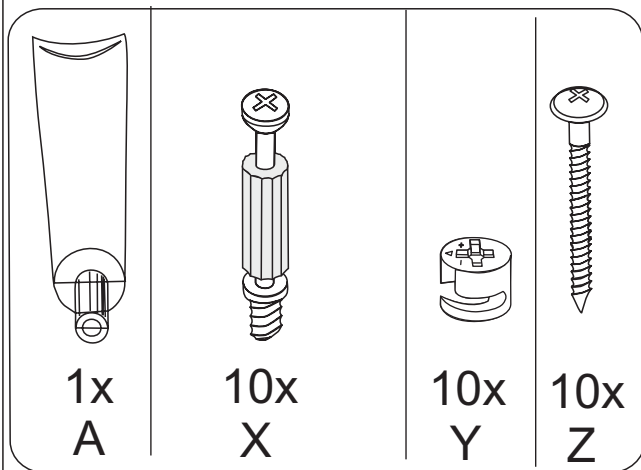


# Assembly Instruction

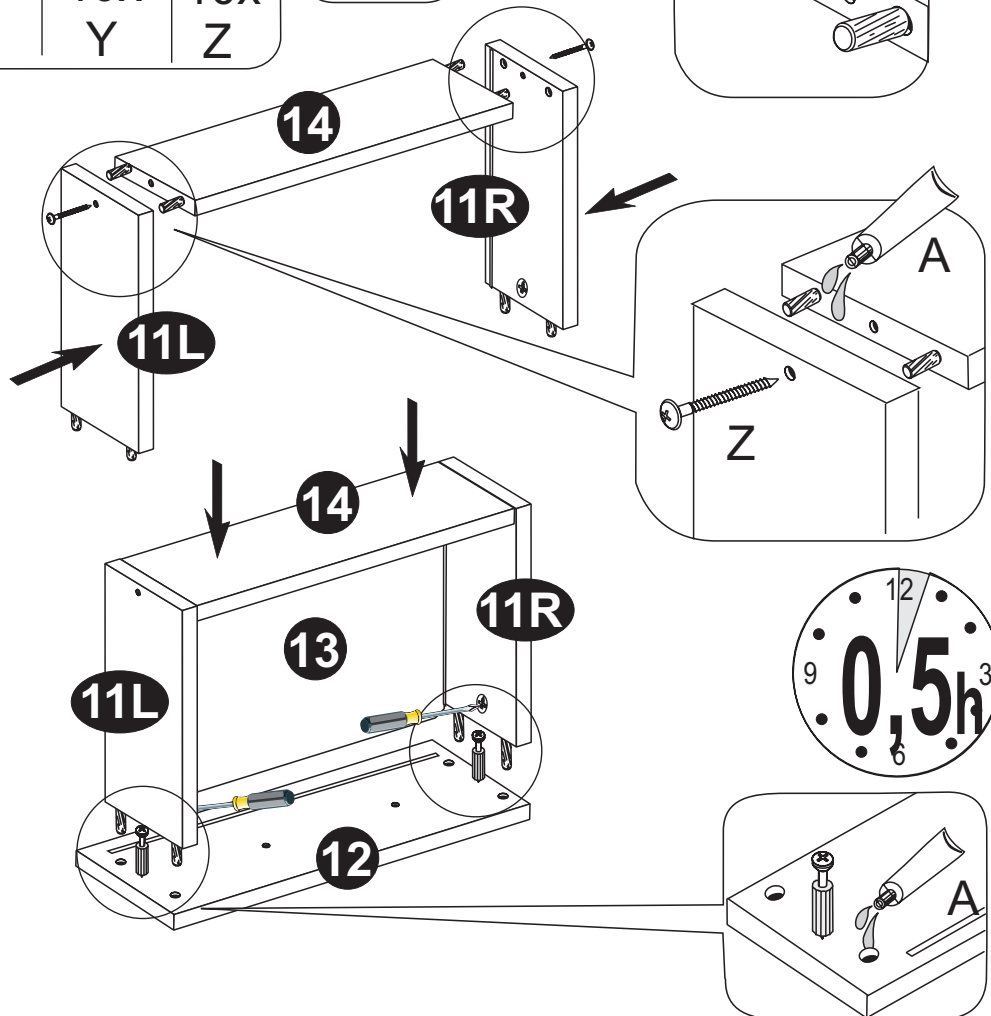
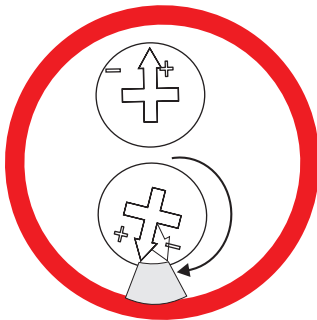
## DESCRIPTION: RIGA 5 + 5 WIDE CHEST

# 12

DO THIS STEP FIVE TIMES (5x)



1/2 TURN  
CLOCKWISE.

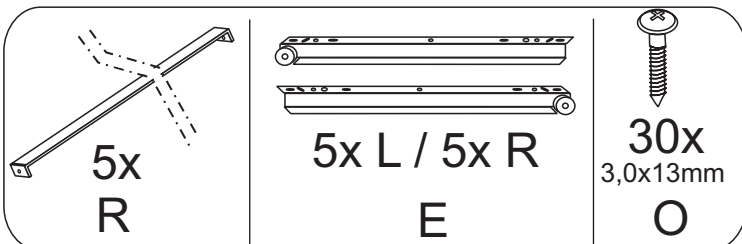
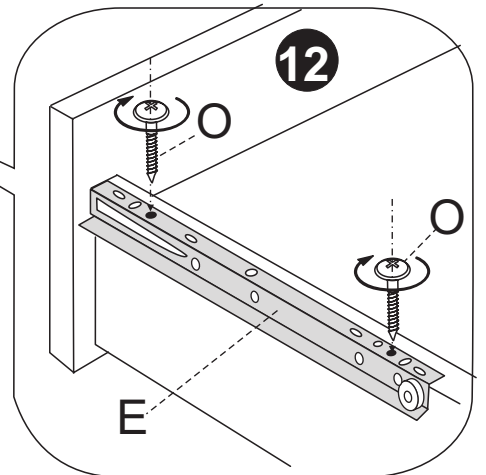
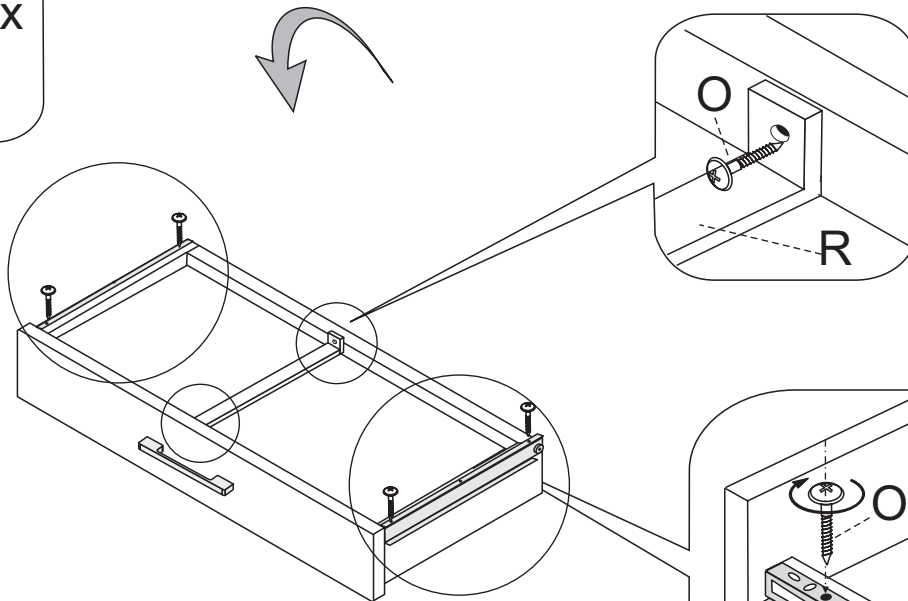
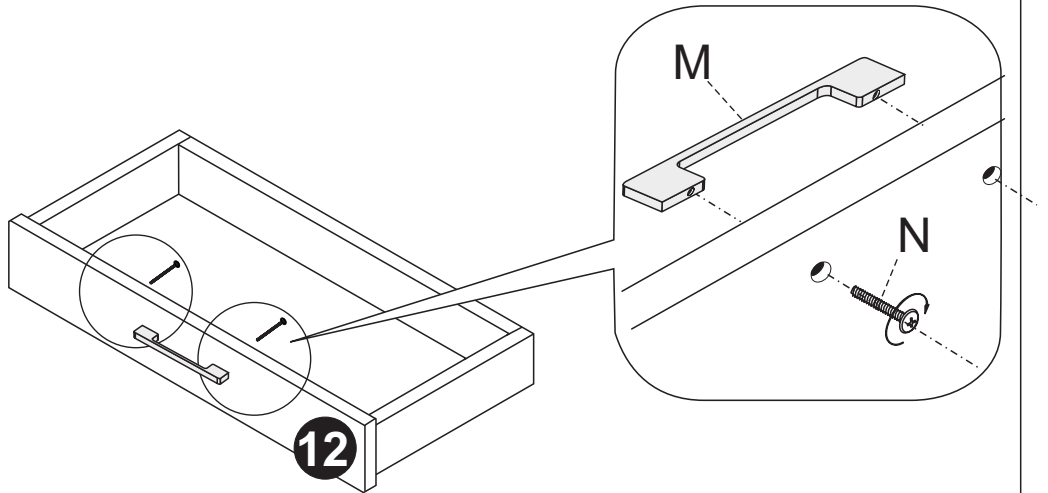
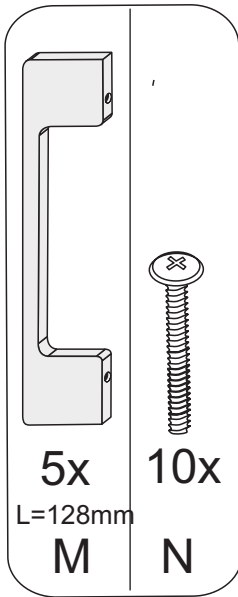


# Assembly Instruction

## DESCRIPTION: RIGA 5 + 5 WIDE CHEST

# 13

DO THIS STEP FIVE TIMES (5x)

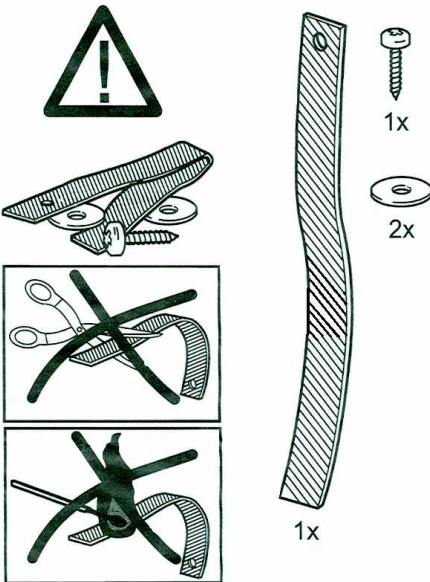
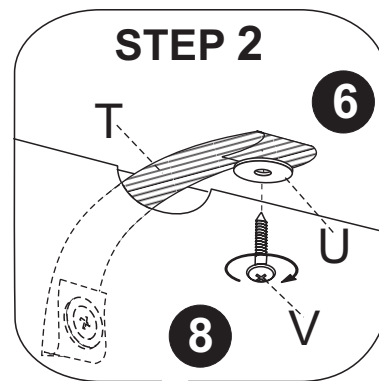
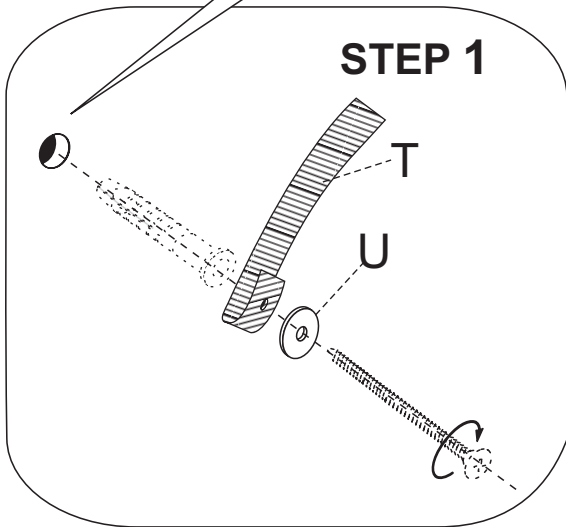
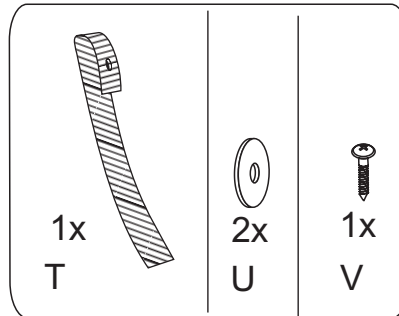
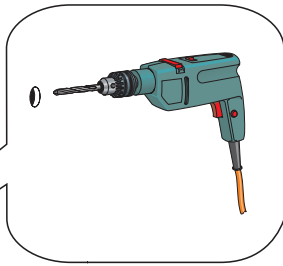




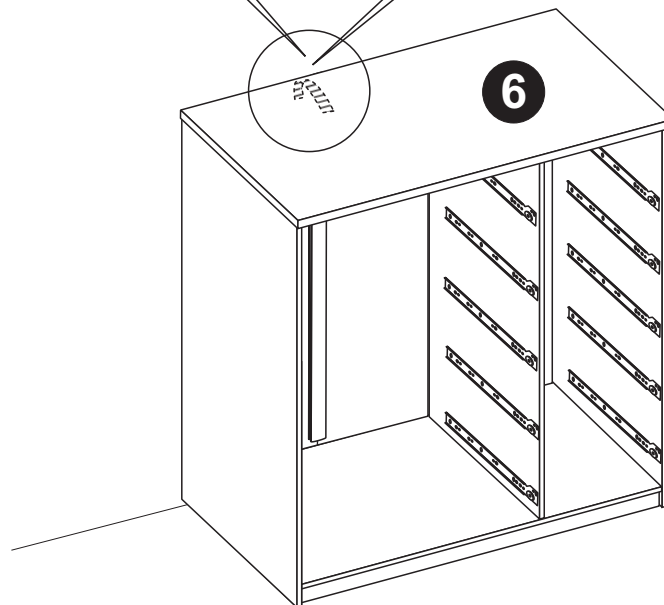
# Assembly Instruction

## DESCRIPTION: RIGA 5 + 5 WIDE CHEST

# 14



For units above 75cm in height.



Wall fixings are not supplied with this product as different wall materials require different types of fixing devices (such as Rawl plugs used on brick work). You must use fixing devices suitable for the type of wall you intend to mount this product to. Please ensure that the head of any screw used has a diameter greater than the diameter of the mounting hole on the product and that the fixing is safe and secure before use.

# Assembly Instruction

DESCRIPTION:  
RIGA  
5 + 5 WIDE CHEST

15

