

ASSEMBLY INSTRUCTION

DESCRIPTION: CORONA DINING CHAIRS

30min

APPROXIMATE ASSEMBLY TIME

1 PERSON ASSEMBLY

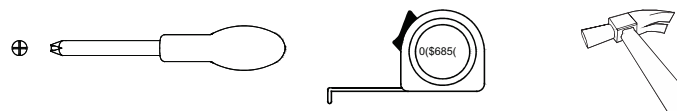


FLOOR AREA
1,5m x 1,5m

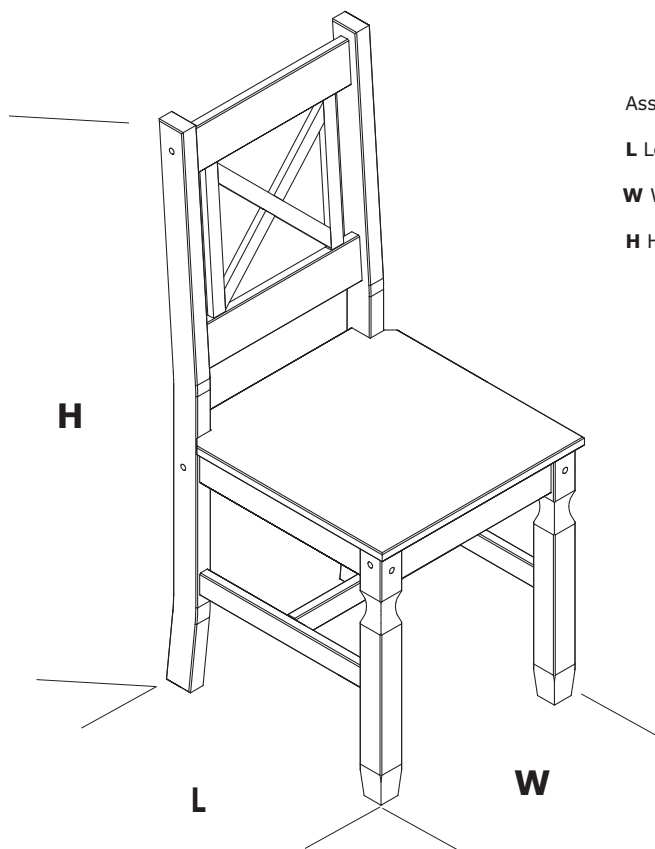


CEILING HEIGHT
2,0m

REQUIRED ASSEMBLY SPACE



REQUIRED ASSEMBLY TOOLS

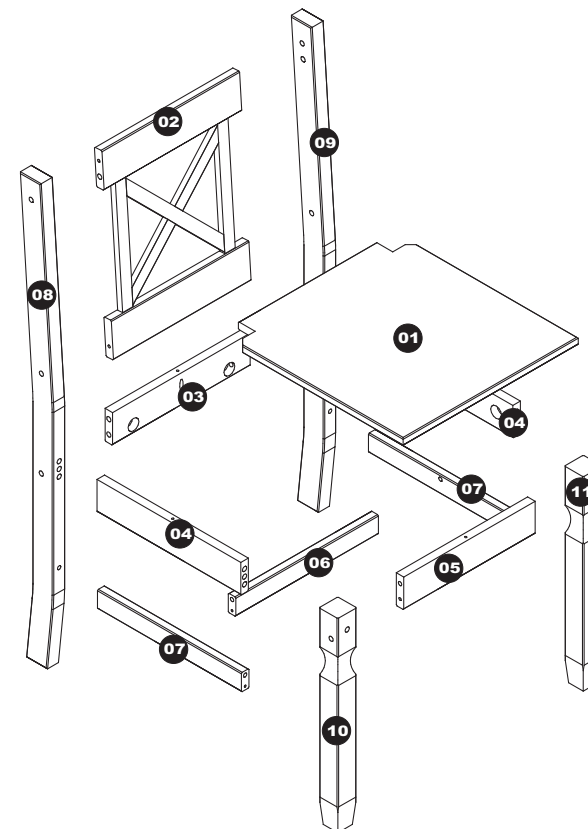


Assembled Dimensions

L Length : 48cm

W Width : 42cm

H Head Height : 100cm

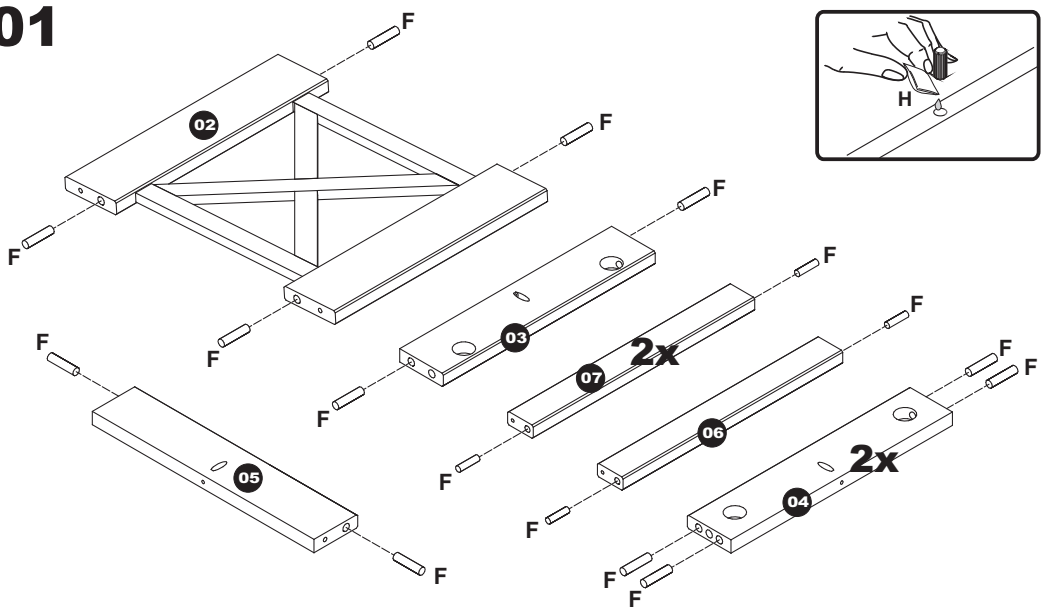


- | | | |
|------|------------------|---|
| (1) | SEAT | 1 |
| (2) | CHAIR BACK | 1 |
| (3) | BACK RAIL | 1 |
| (4) | SIDE RAILS | 2 |
| (5) | FRONT RAIL | 1 |
| (6) | CROSS FRAME RAIL | 1 |
| (7) | SIDE FRAME RAIL | 2 |
| (8) | BACK LEG- LEFT | 1 |
| (9) | BACK LEG RIGHT | 1 |
| (10) | FRONT LEG LEFT | 1 |
| (11) | FRONT LEG RIGHT | 1 |

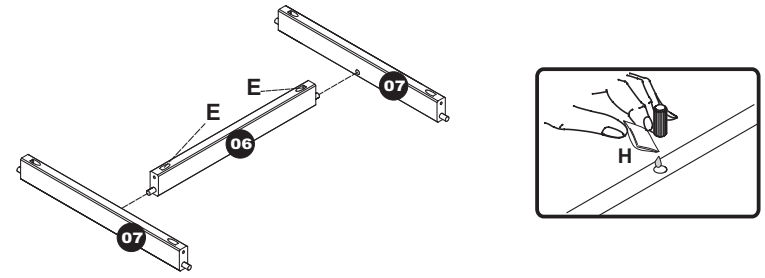
A		12
B		12
C		12
D		01

E		20
F		44
H		01

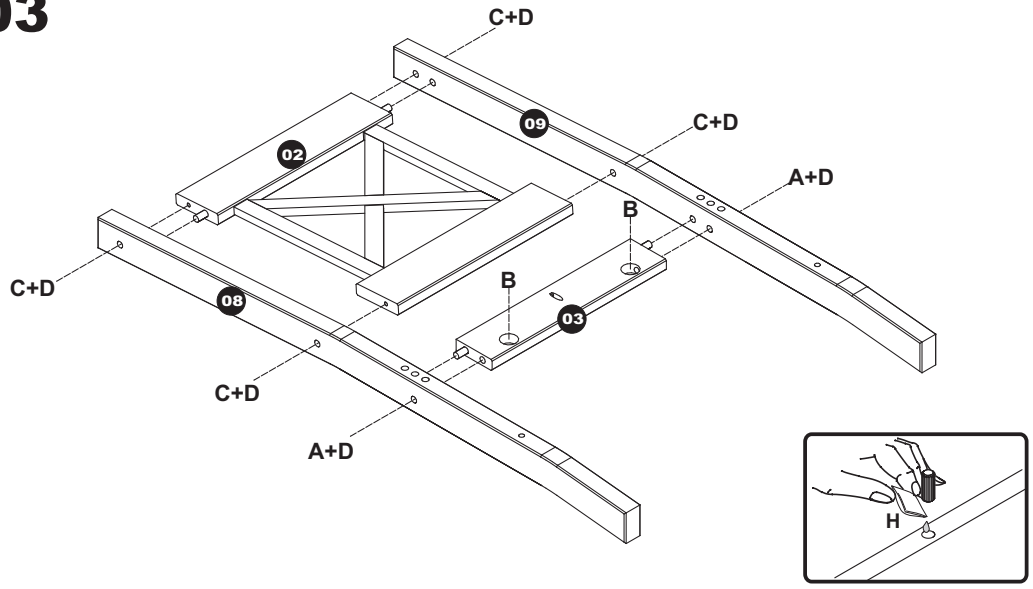
01



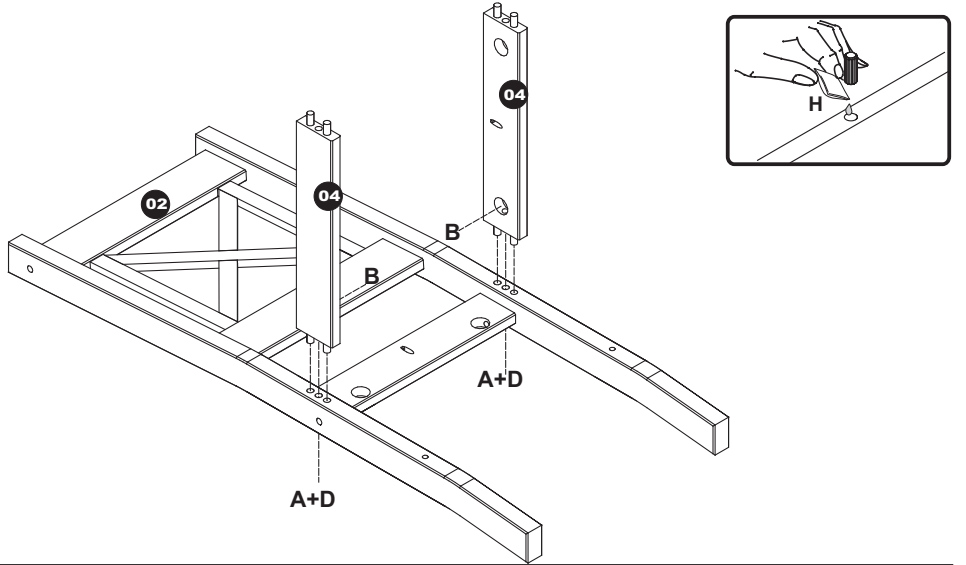
02



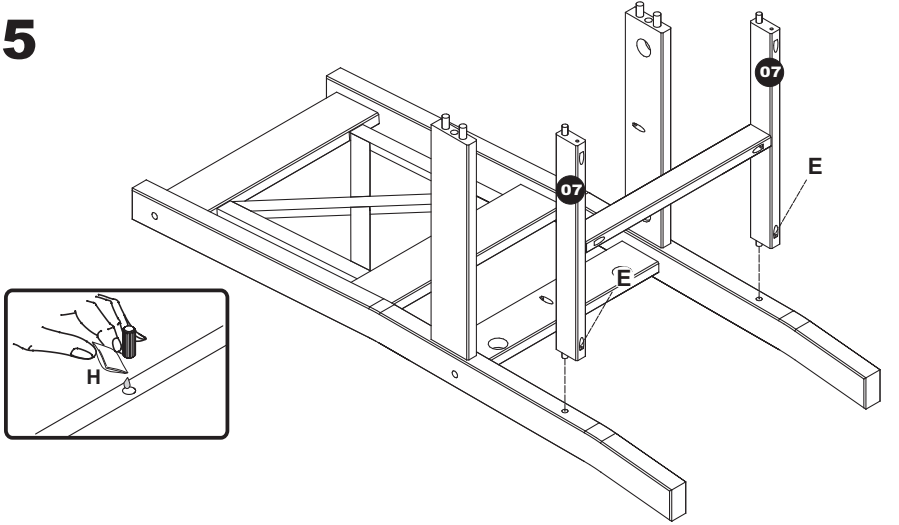
03



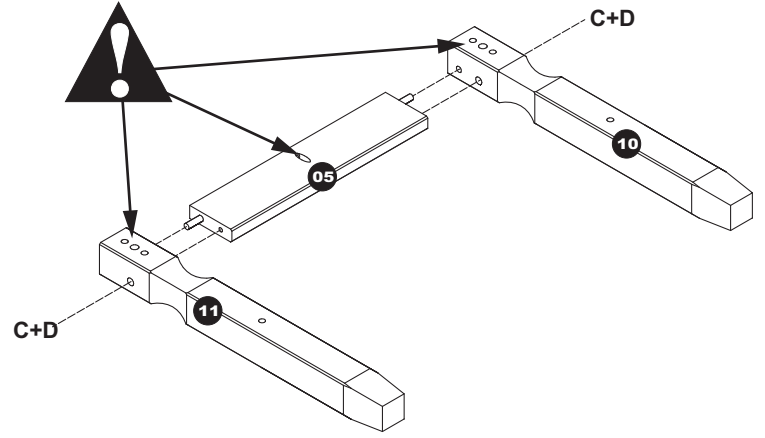
04



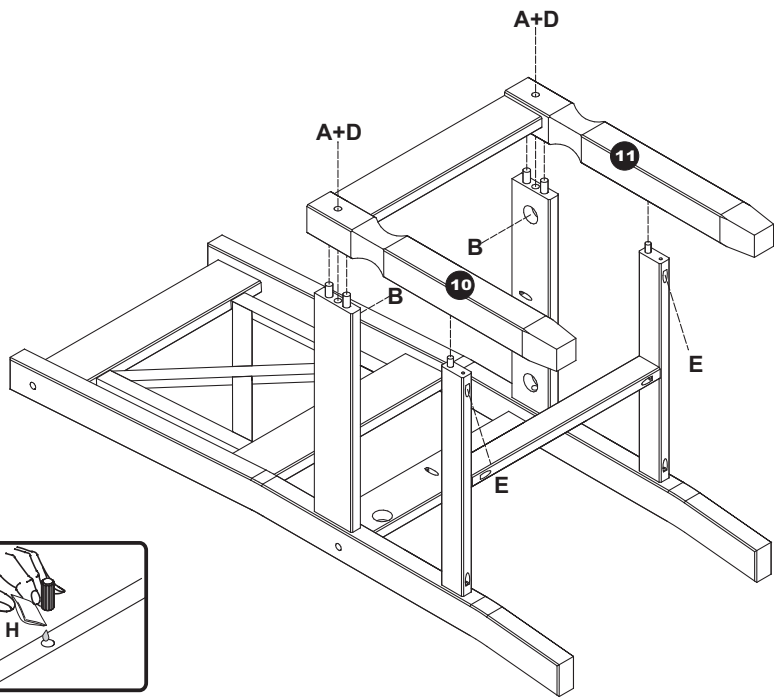
05



06



07



08

