

# Assembly Instruction

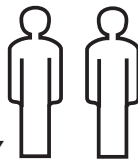
## DESCRIPTION: RIGA 4 + 2 DRAWER CHEST

SG796

2.0 hr

APPROXIMATE ASSEMBLY TIME

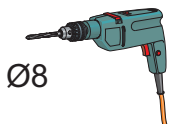
2 PERSON ASSEMBLY



FLOOR AREA  
2.0 M x 2.0 M



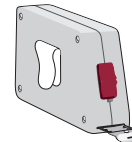
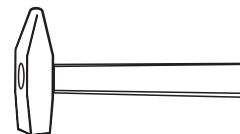
REQUIRED ASSEMBLY SPACE



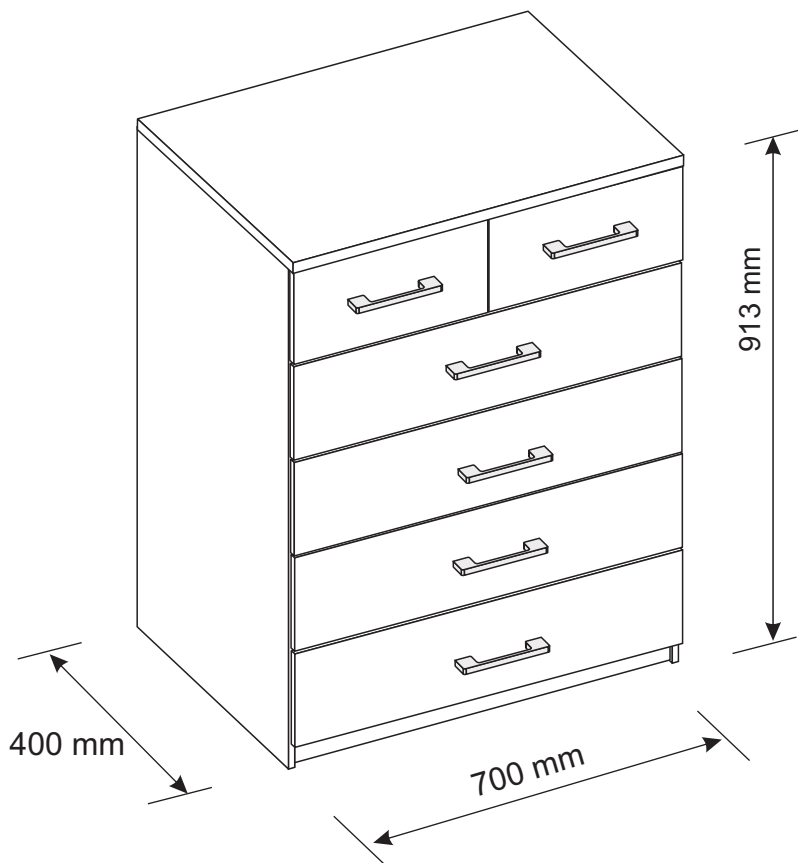
FOR WALL STRAP ATTACHMENT ONLY



REQUIRED ASSEMBLY TOOLS



ASSEMBLED DIMENSIONS

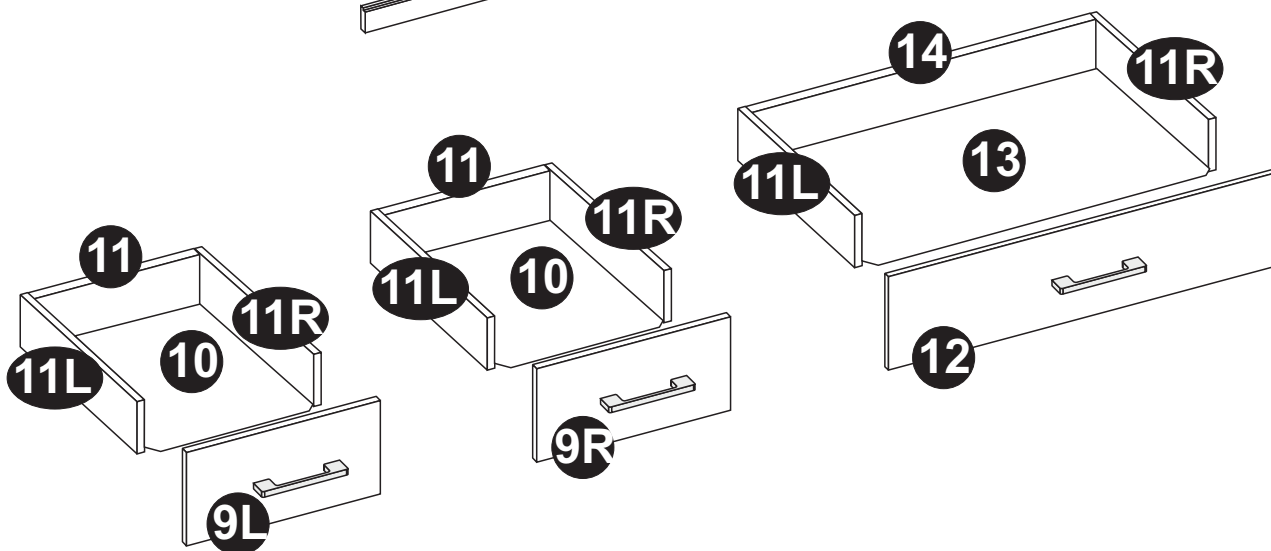
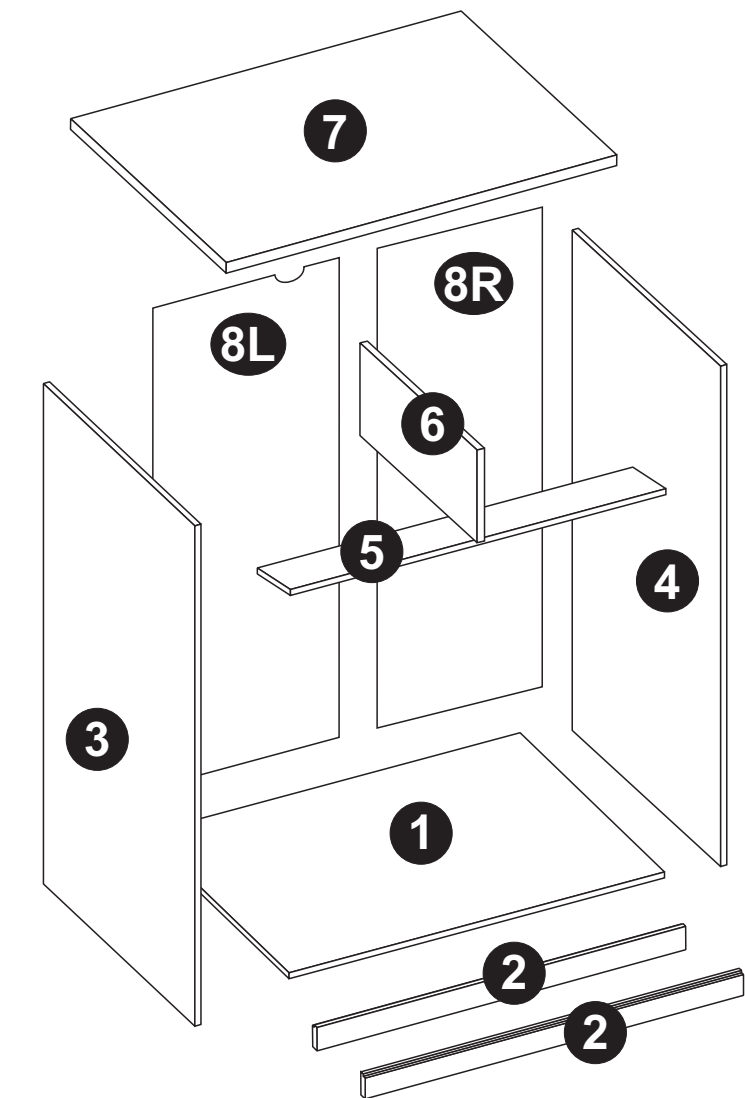


# Assembly Instruction

## DESCRIPTION: RIGA 4 + 2 DRAWER CHEST

### PARTS LIST

NO.	PART LIST	QTY
(1)	LOWER TOP PANEL	1
(2)	PLINTH	2
(3)	LEFT SIDE PANEL	1
(4)	RIGHT SIDE PANEL	1
(5)	HORIZONTAL FRAME	1
(6)	SHORT COMPARTMENT	1
(7)	UPPER TOP PANEL	1
(8L)	LEFT BACK PANEL	1
(8R)	RIGHT BACK PANEL	1
(9L)	LEFT DRAWER FRONT	1
(9R)	RIGHT DRAWER FRONT	1
(10)	DRAWER BOTTOM	2
(11)	DRAWER BACK	2
(11L)	DRAWER LEFT SIDE	6
(11R)	DRAWER RIGHT SIDE	6
(12)	LONG DRAWER FRONT	4
(13)	LONG DRAWER BOTTOM	4
(14)	LONG DRAWER BACK	4



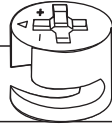

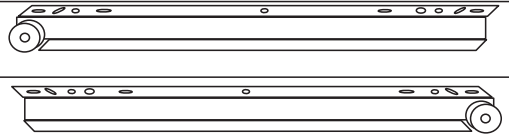




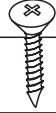

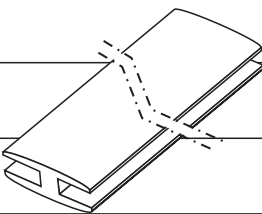

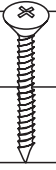


# Assembly Instruction

## DESCRIPTION: RIGA 4 + 2 DRAWER CHEST

### HARDWARE LIST

**DO NOT MIX CONTENT OF HARDWARE BOXES**

				ATTACH TO DRAWER	
					
1x	12x 8x28mm	12x	12x	6x L / 6x R L=350mm	
<b>A</b>	<b>B</b>	<b>C</b>	<b>D</b>	<b>E</b>	
GLUE	DOWEL	CAM LOCK	CAM BOLT	ROLLER RUNNER	
BAG 1	BAG 1	BAG 1	BAG 1	BAG 2	

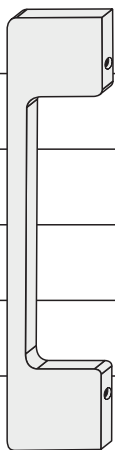
				
	20x 6,0x11mm	12x 3,5x13mm	4x 6,0x8mm	1x L=659mm
	<b>F</b>	<b>G</b>	<b>H</b>	<b>H1</b>
	SCREW	SCREW	SCREW	BACK PANEL CONNECTOR
	BAG 2	BAG 2	BAG 2	
				
2x 4x30mm	3x 3,0x20mm	3x	6x	
<b>I</b>	<b>J</b>	<b>K</b>	<b>L</b>	
SCREW	SCREW	METAL PLATE	PLASTIC SUPPORT	
BAG 1	BAG 1	BAG 1	BAG 1	

# Assembly Instruction

## DESCRIPTION: RIGA 4 + 2 DRAWER CHEST

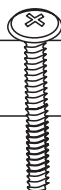
### HARDWARE LIST

**DO NOT MIX CONTENT OF HARDWARE BOXES**



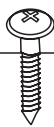
**6x**  
L=128mm

**M**  
HANDLE  
BAG 3



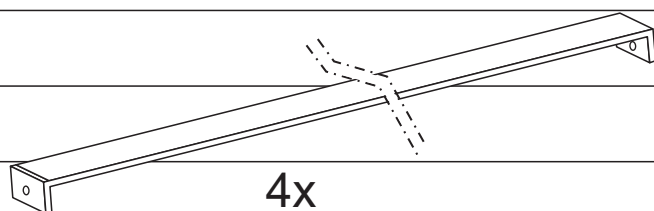
**12x**  
M4x22mm

**N**  
SCREW  
BAG 3



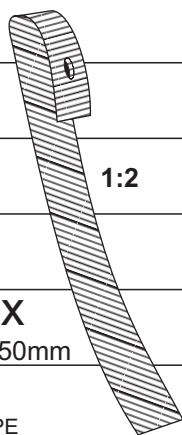
**32x**  
3,0x13mm

**O**  
SCREW  
BAG 2



**4x**  
L=338mm

**R**  
DRAWER BOTTOM SUPPORT  
BAG 2



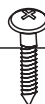
**1x**  
10x150mm

**T**  
TAPE  
BAG 5



**2x**  
Ø15mm

**U**  
WASHER  
BAG 5



**1x**  
3,5x13mm

**V**  
SCREW  
BAG 5



**12x**

**W**  
SILICON PEG  
BAG 1



**12x**  
5x35mm

**X**  
CAM BOLT  
BAG 6



**12x**  
12x10mm

**Y**  
CAM LOCK  
BAG 6



**12x**  
4x30mm

**Z**  
SCREW  
BAG 6



### Top Tips before you start!

1. Please check that all parts are present before you start the assembly of your furniture, as once assembled, the furniture is exempt from our home approval policy.
2. For ease and speed of assembly, we recommend that before you commence each step of the assembly, that you identify all the parts required for that step.
3. For larger items, please ensure that you have sufficient space and people ( as indicated on page 1) to assemble your product safely.
4. We recommend that, where possible, all items are assembled near to the area in which they will be placed in use, to avoid moving the product unnecessarily once assembled.
5. For the protection of your furniture, particularly items of high gloss finish, we recommend that the product is placed on a protected surface during assembly to prevent any damage.
6. During assembly please take care not to over-tighten any fittings, as this may damage the product .

### Care and Maintenance of your Furniture

Please periodically check all fittings and re-tighten as necessary.

Please do not jump on your furniture.

To clean your item, please use a damp cloth and wipe clean.

Never allow any kind of liquid to remain on your furniture. Absorption can cause wood to warp or finishes to de-laminate.

# Assembly Instruction

## DESCRIPTION: RIGA 4 + 2 DRAWER CHEST



**WHEN FITTING CAMS**  
ENSURE STARTING POSITION IS CORRECT  
BEFORE YOU INSERT CONNECTING BOLT  
TURN CLOCKWISE UNTIL SECURE

**CORRECT**      **WRONG**

**1** SCREW IN CAM SCREWS  
ONLY DOWN TO FIRST RING.

FLUSH WITH PANEL

**2** PRESS IN CAM LOCKS. ARROW ON CAM  
LOCK MUST FACE HOLE IN PANEL EDGE.

DO NOT INSERT DOWELS  
IN CAM SCREW / LOCK HOLES.

**3** PRESS PANELS TOGETHER ALIGNING  
DOWEL WITH HOLES, CAM SCREWS WITH LOCKS.

**4** TO SECURE PANELS,  
TURN CAM LOCKS 1/2 TURN CLOCKWISE.

CAM SHOWN IN  
LOCKED POSITION.

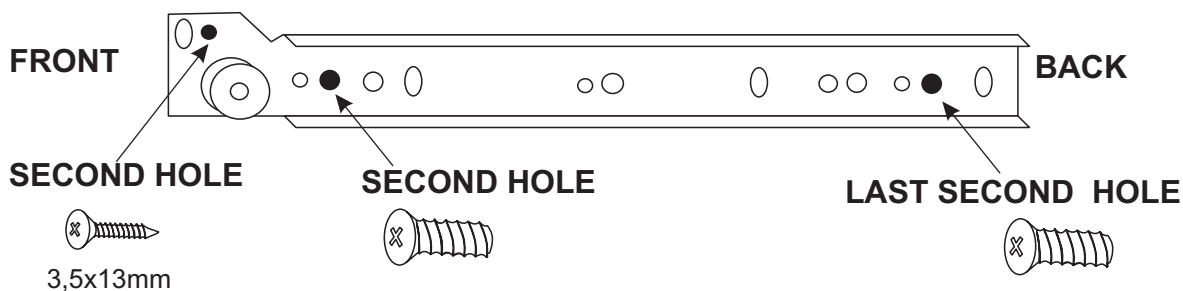
# Assembly Instruction

## DESCRIPTION: RIGA 4 + 2 DRAWER CHEST

### ASSEMBLY INSTRUCTION FOR DRAWER SLIDE A&B

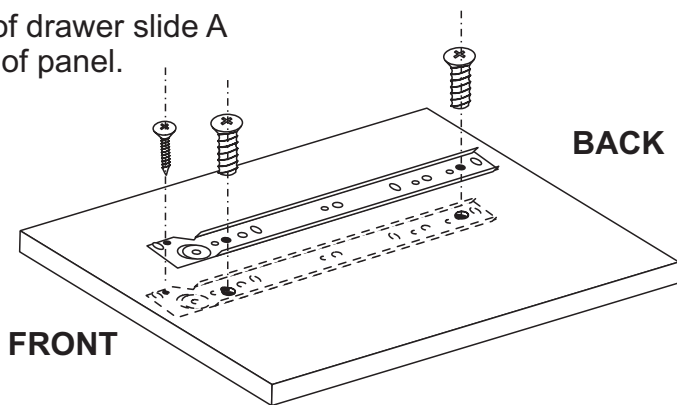
350mm

#### SPECIAL TIPS FOR DRAWER SLIDE A

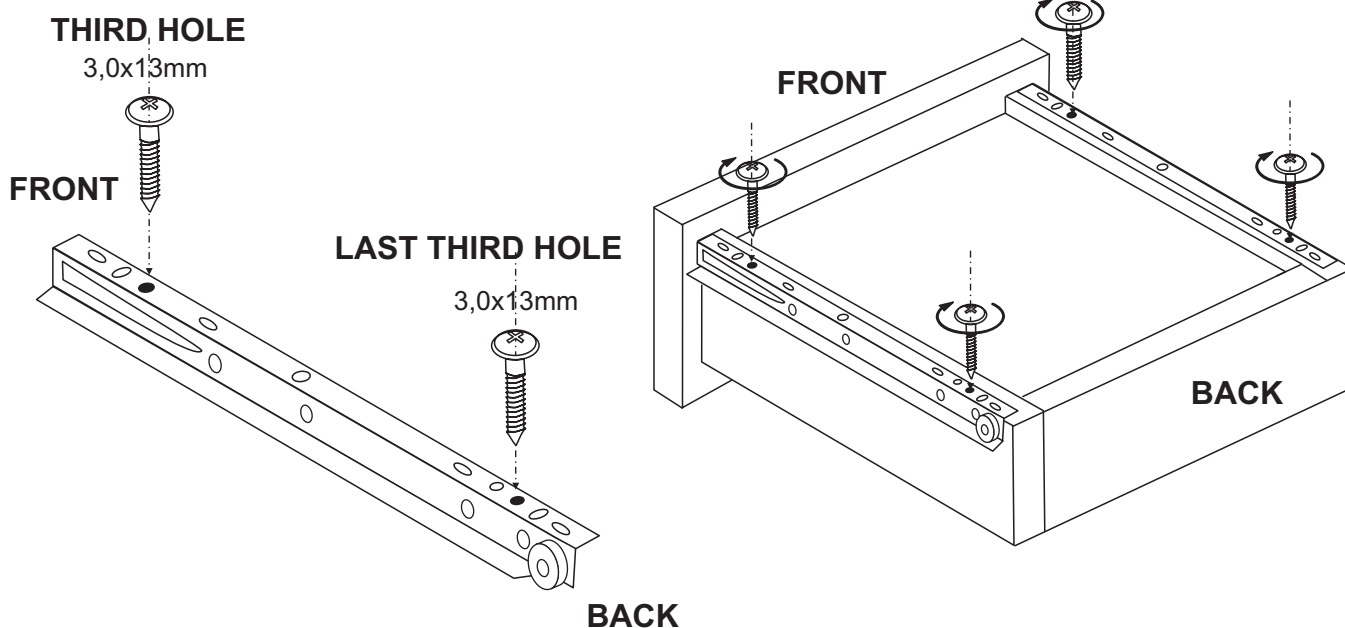


#### **ATTENTION !**

Make sure second hole of drawer slide A is put on first front hole of panel.



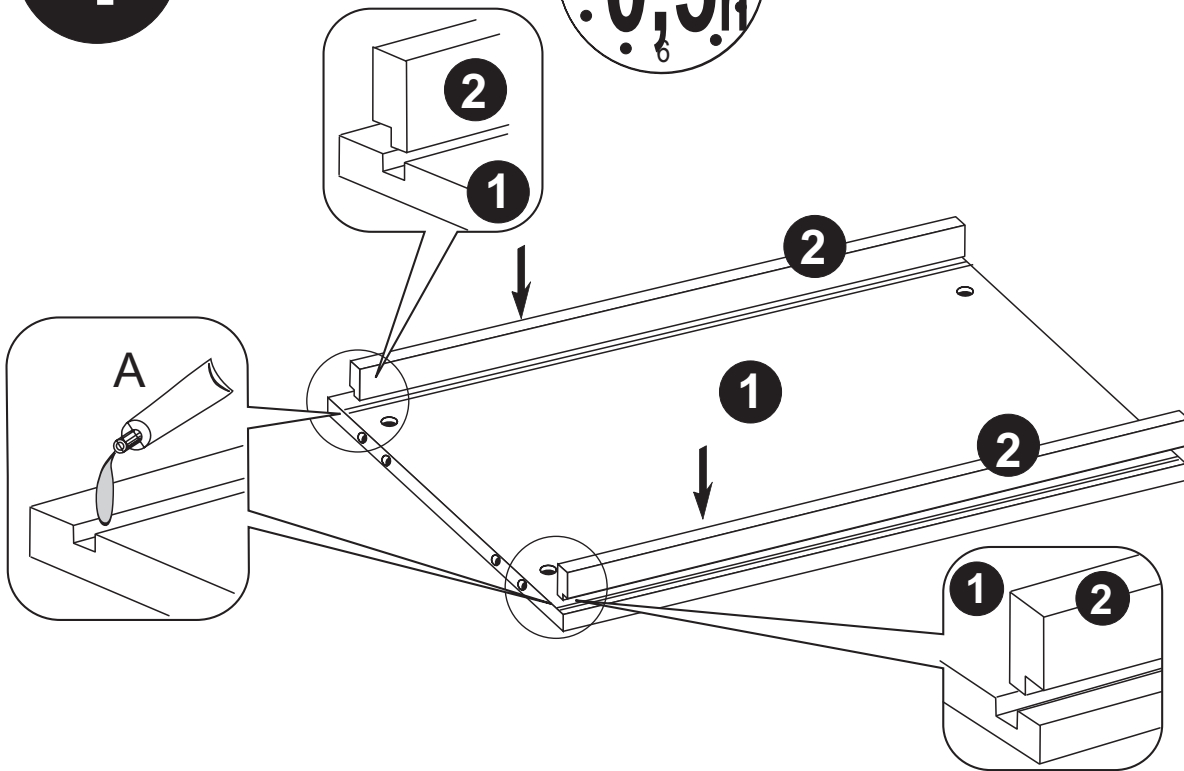
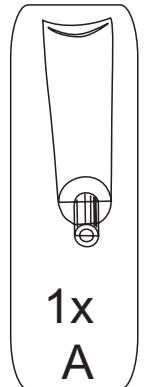
#### SPECIAL TIPS FOR DRAWER SLIDE B



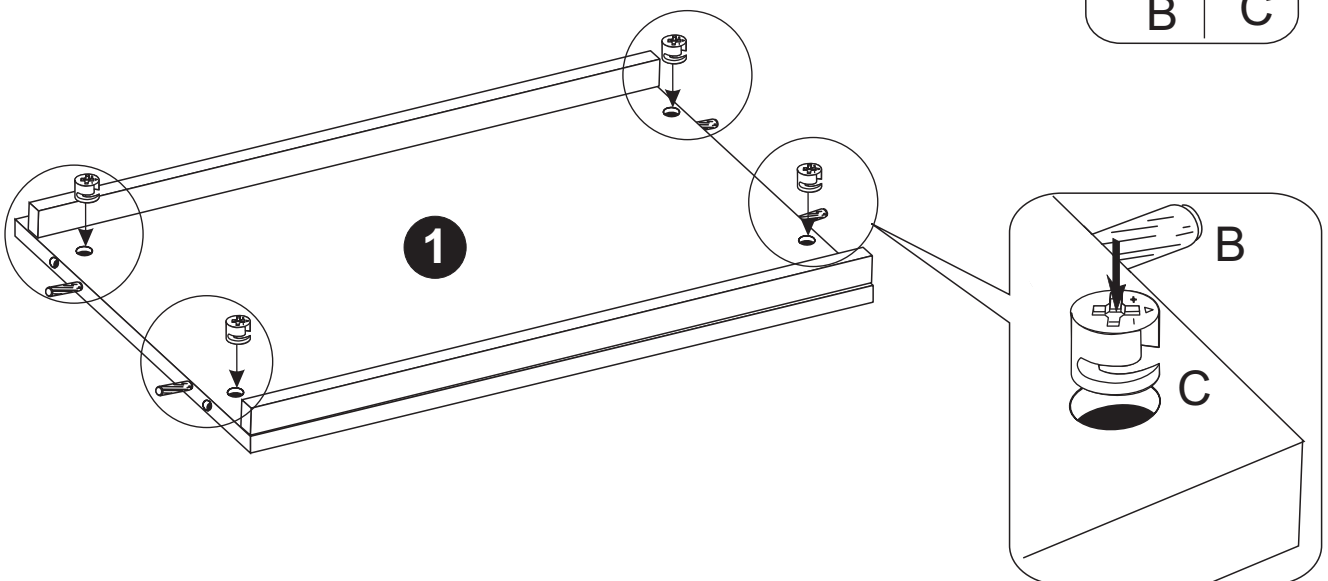
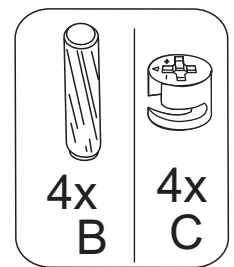
# Assembly Instruction

## DESCRIPTION: RIGA 4 + 2 DRAWER CHEST

**1**



**2**

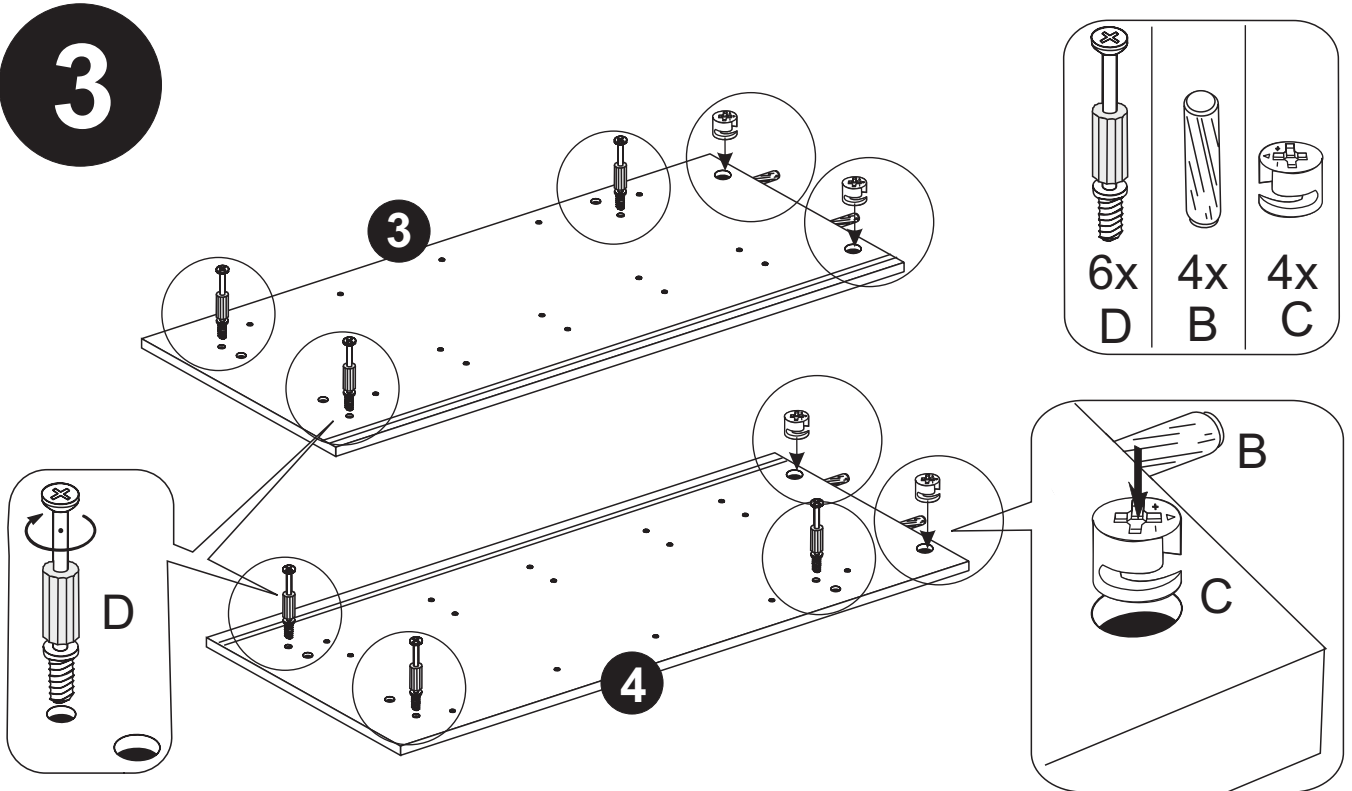




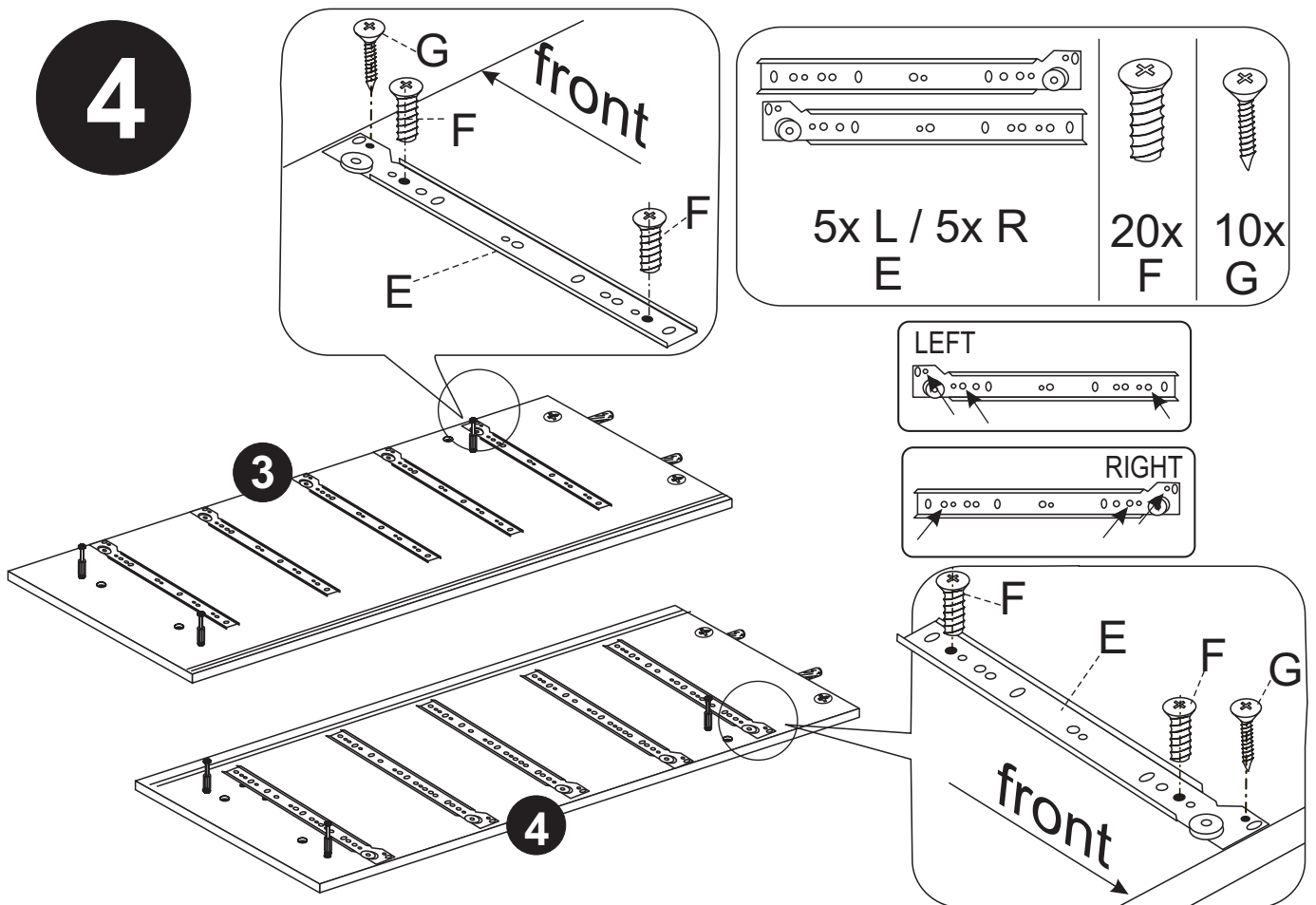
# Assembly Instruction

## DESCRIPTION: RIGA 4 + 2 DRAWER CHEST

**3**



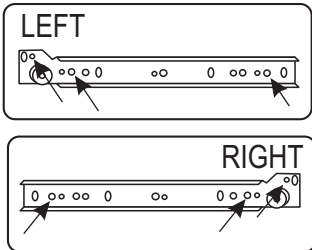
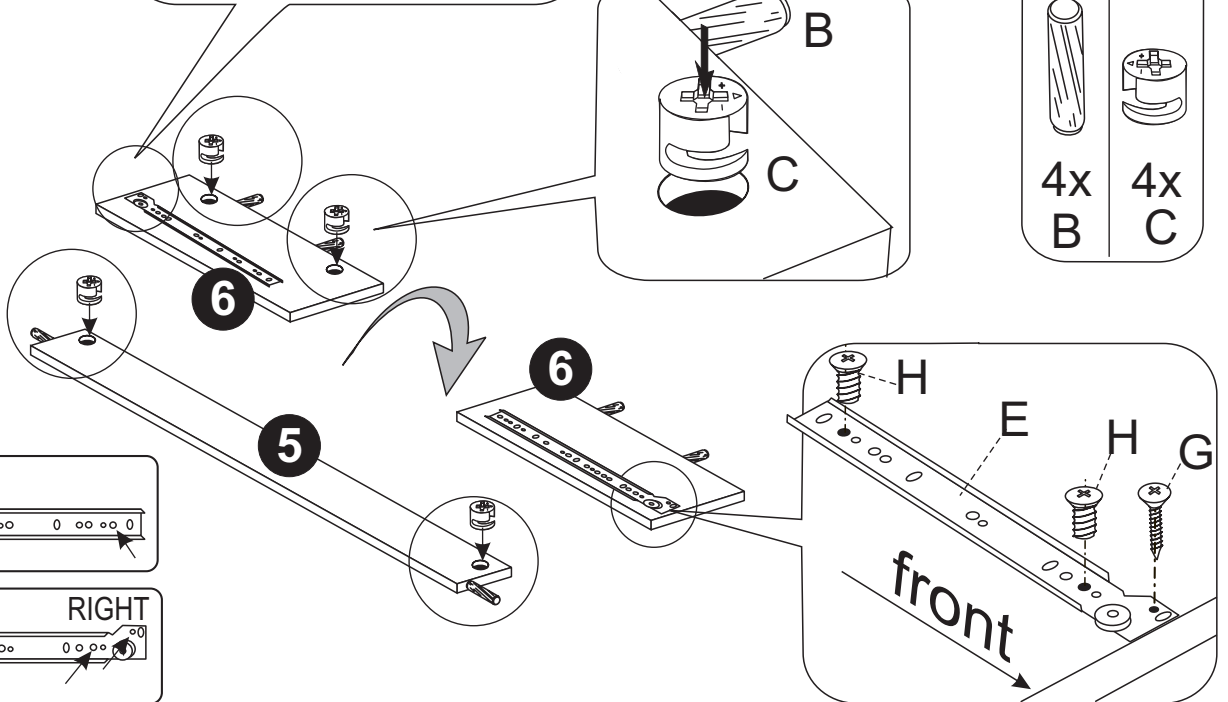
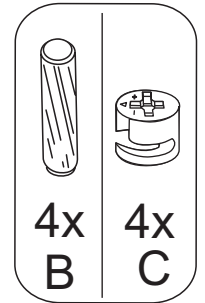
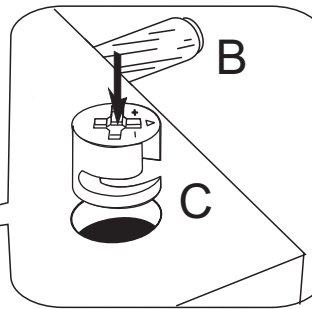
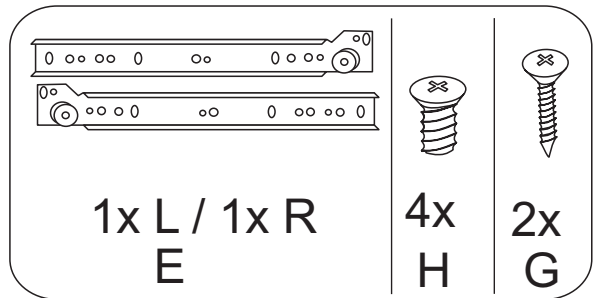
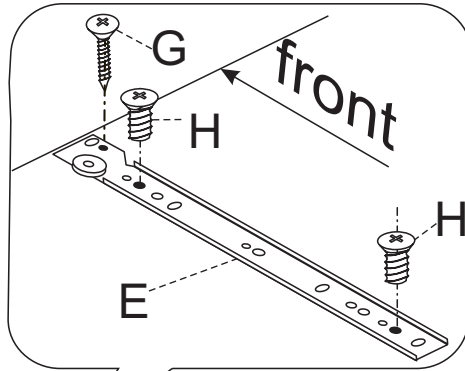
**4**



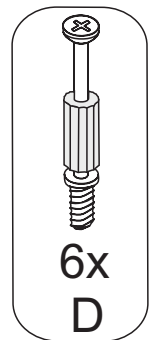
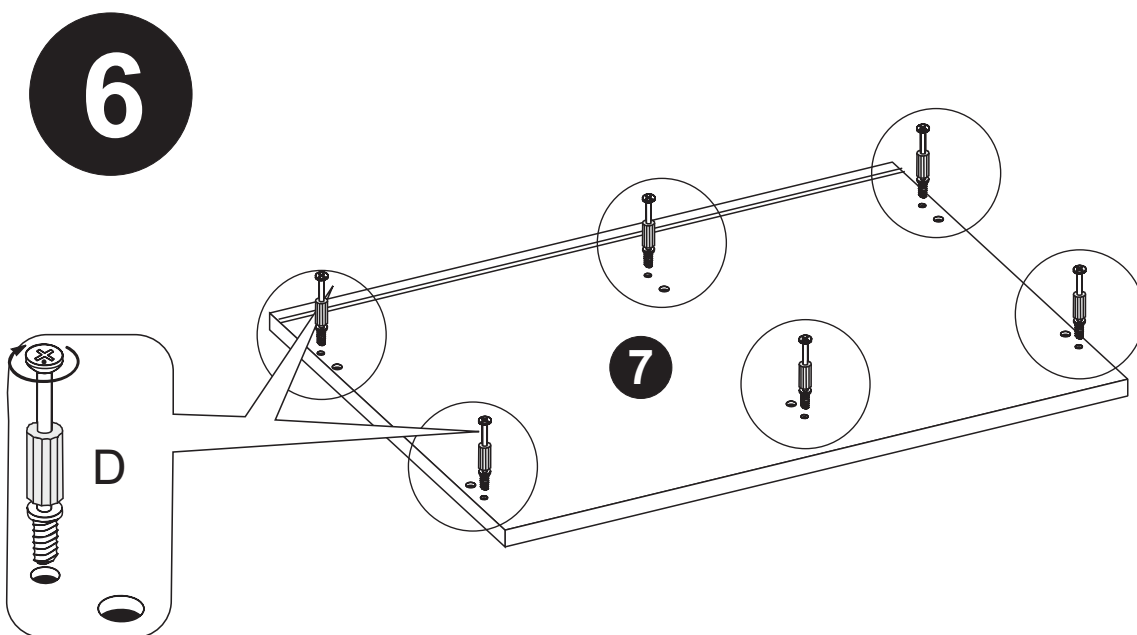
# Assembly Instruction

## DESCRIPTION: RIGA 4 + 2 DRAWER CHEST

**5**



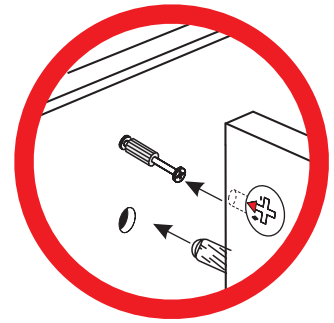
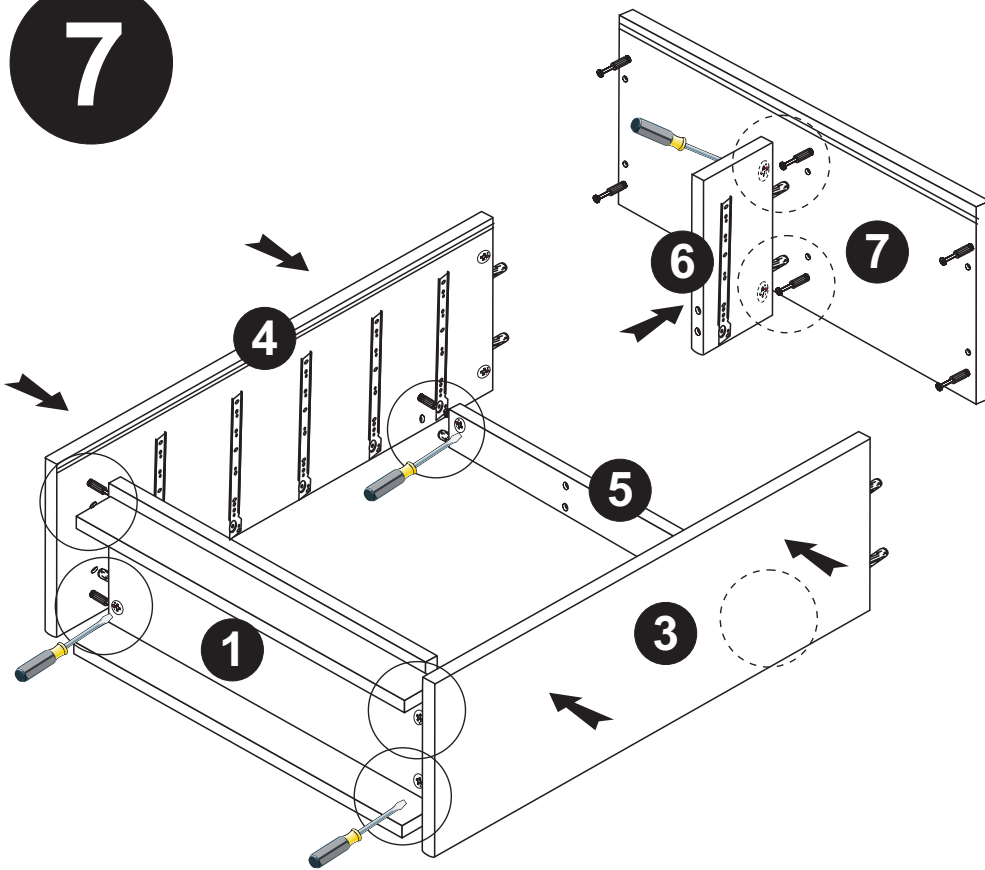
**6**



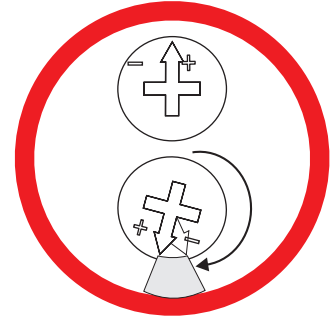
# Assembly Instruction

## DESCRIPTION: RIGA 4 + 2 DRAWER CHEST

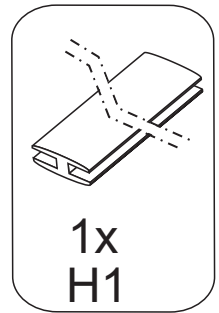
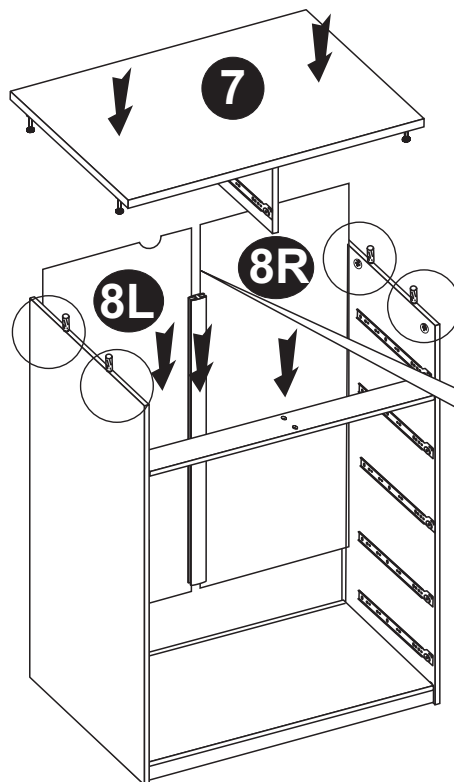
7



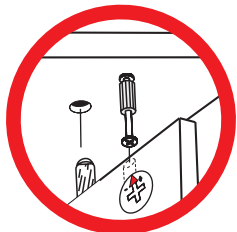
1/2 TURN  
CLOCKWISE.



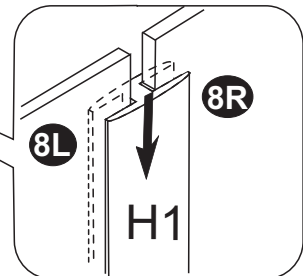
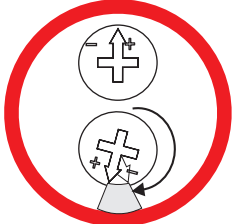
8



1x  
H1



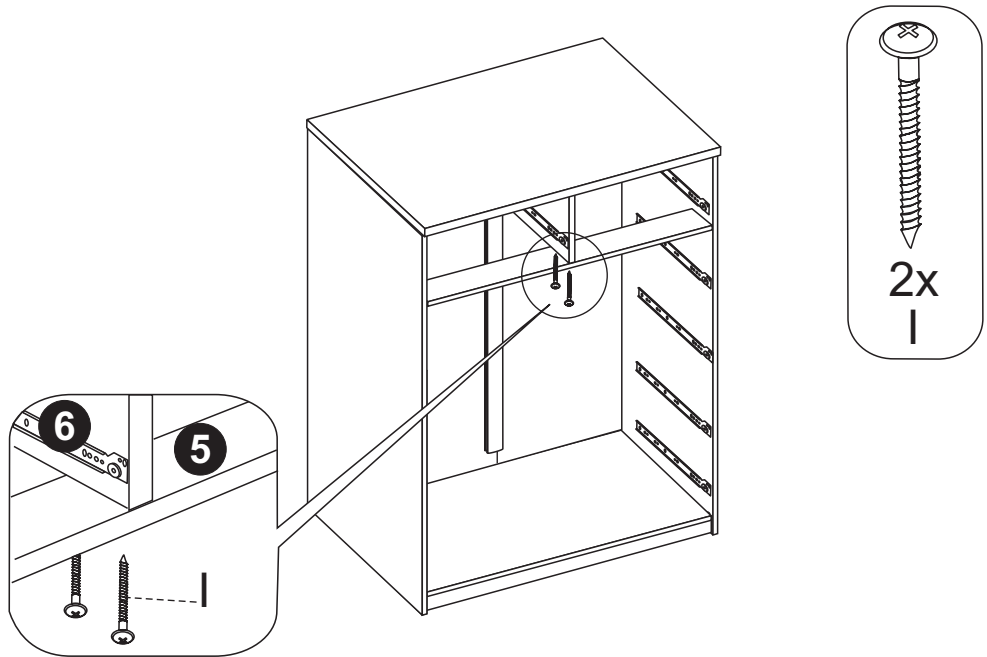
1/2 TURN  
CLOCKWISE.



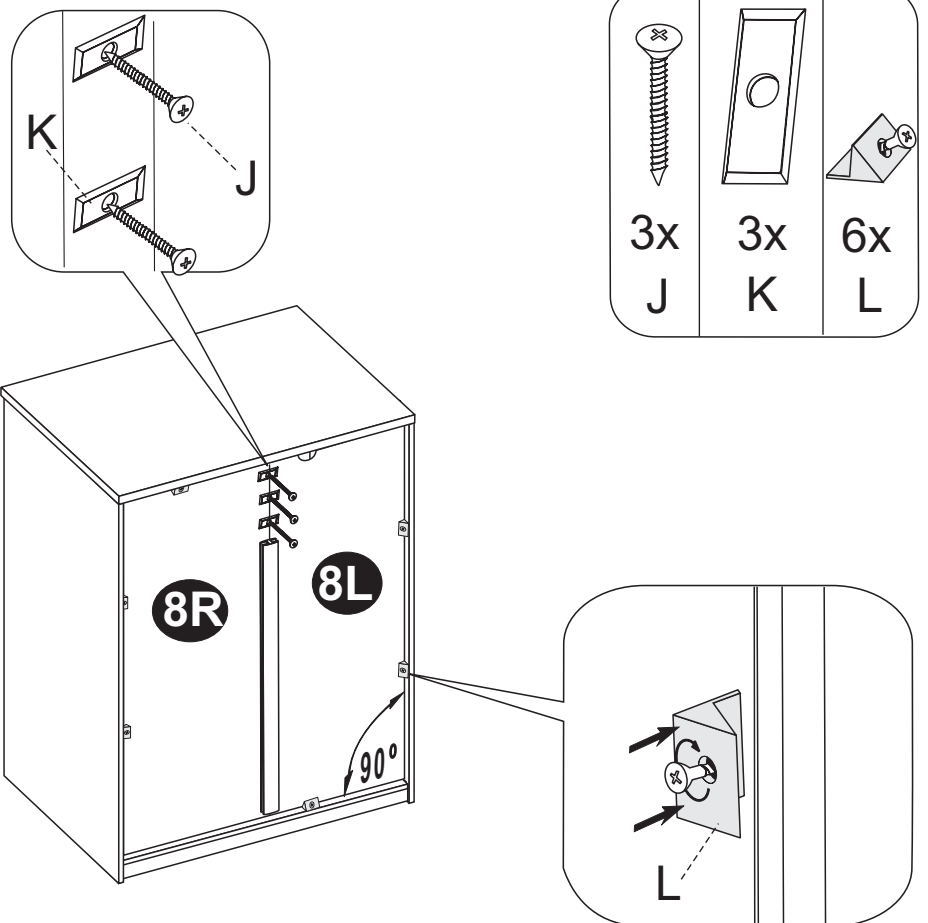
# Assembly Instruction

## DESCRIPTION: RIGA 4 + 2 DRAWER CHEST

9



10

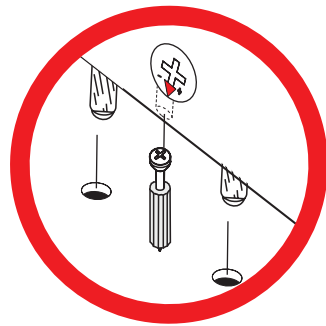
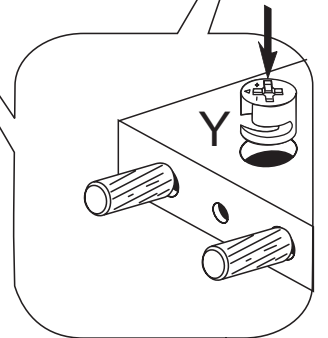
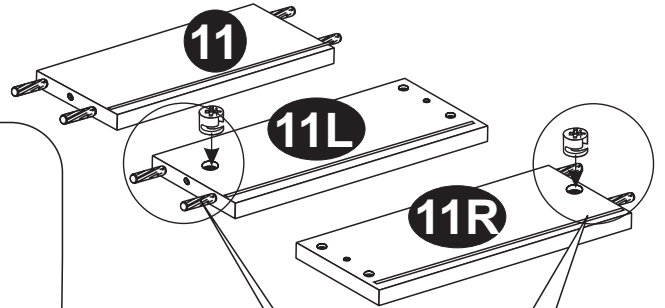
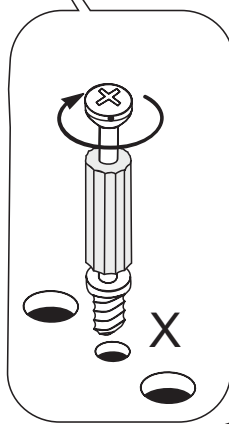
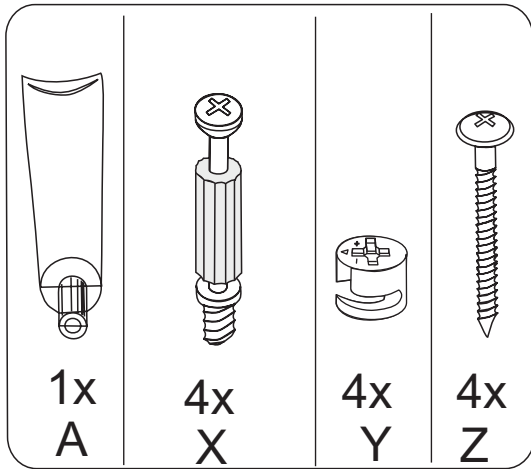
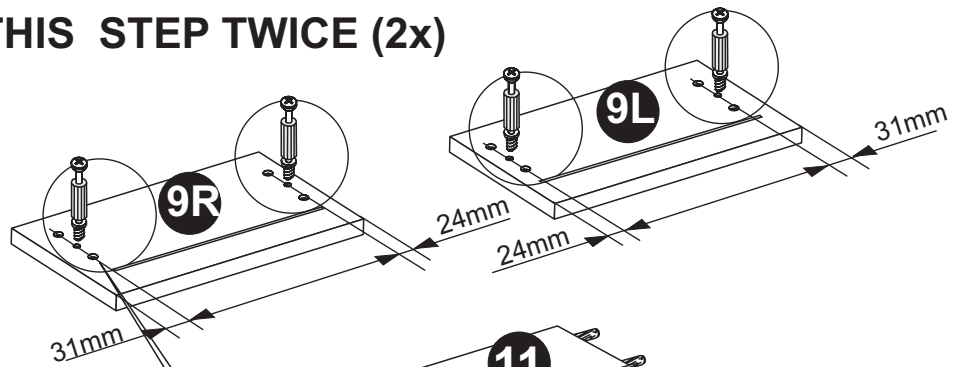


# Assembly Instruction

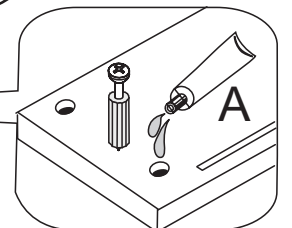
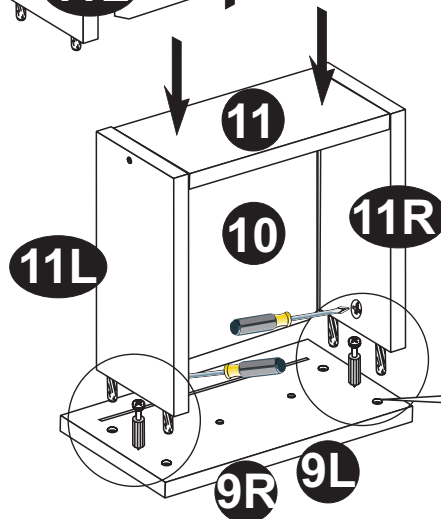
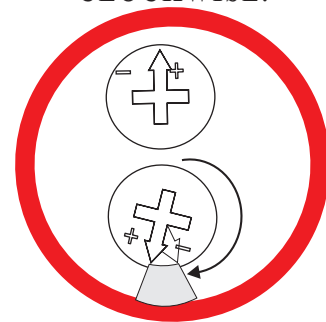
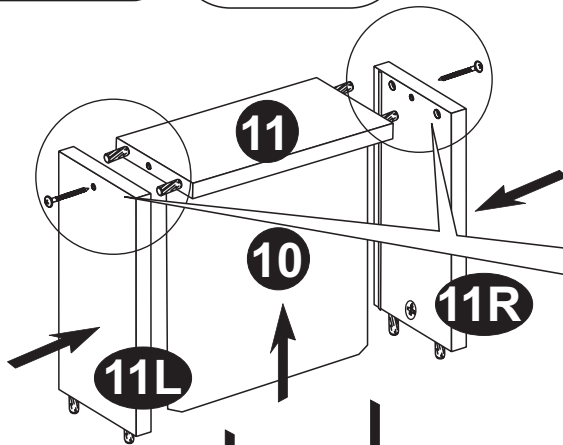
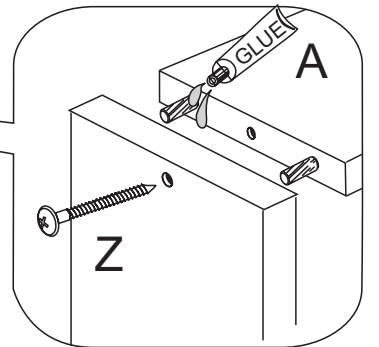
## DESCRIPTION: RIGA 4 + 2 DRAWER CHEST

# 11

DO THIS STEP TWICE (2x)



1/2 TURN  
CLOCKWISE.

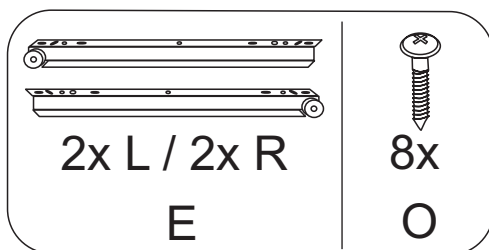
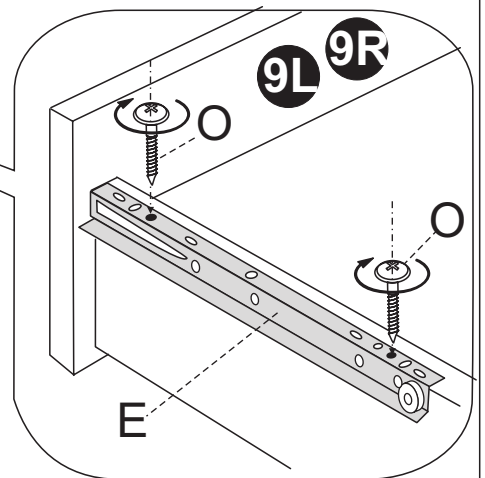
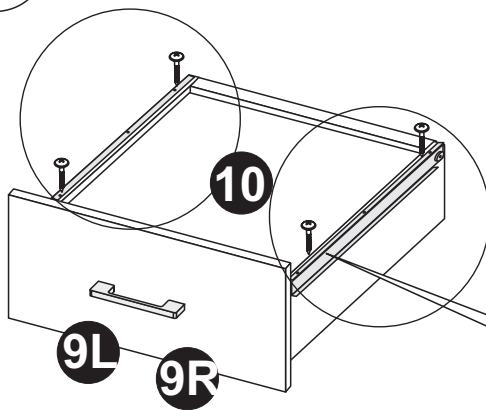
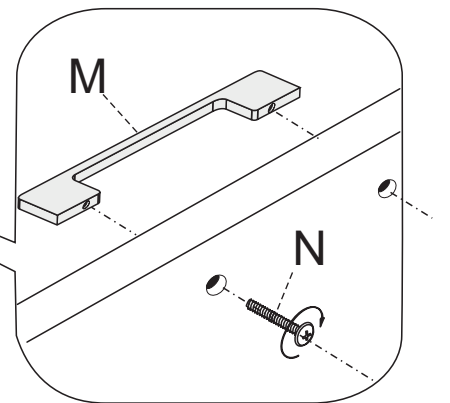
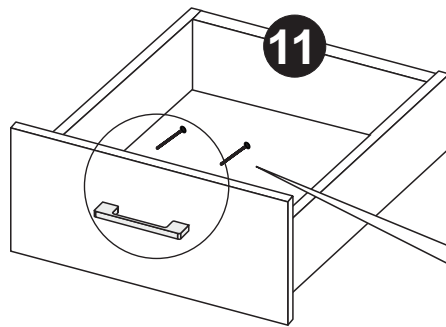
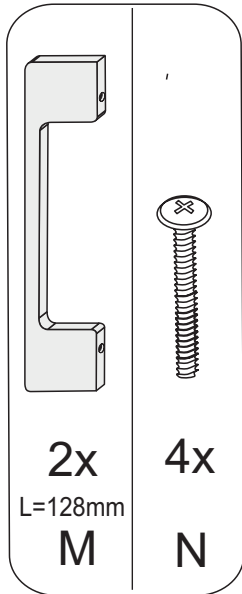


# Assembly Instruction

## DESCRIPTION: RIGA 4 + 2 DRAWER CHEST

**12**

DO THIS STEP TWICE (2x)

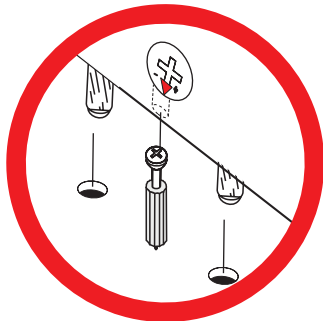
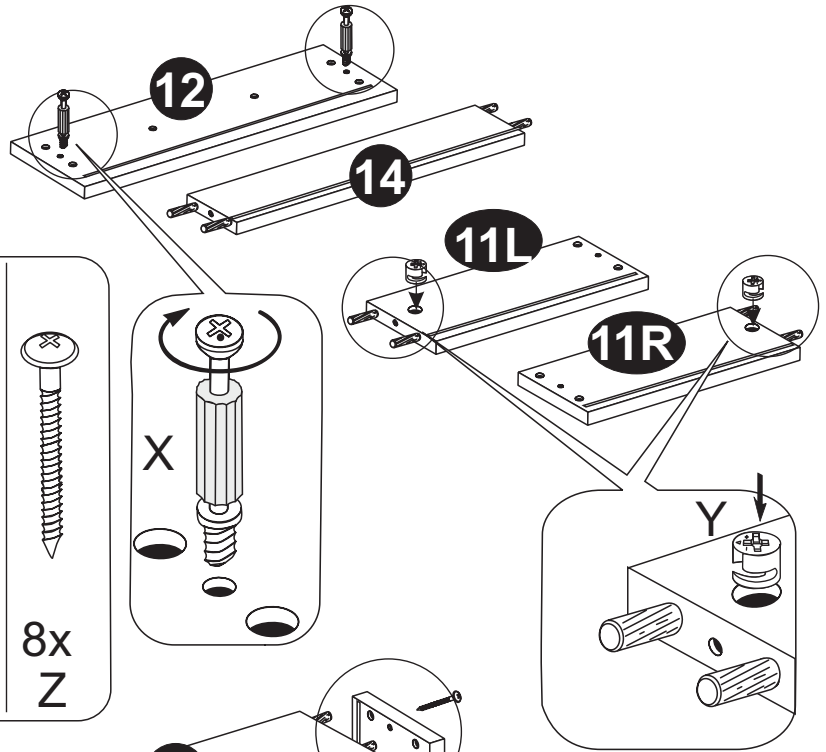
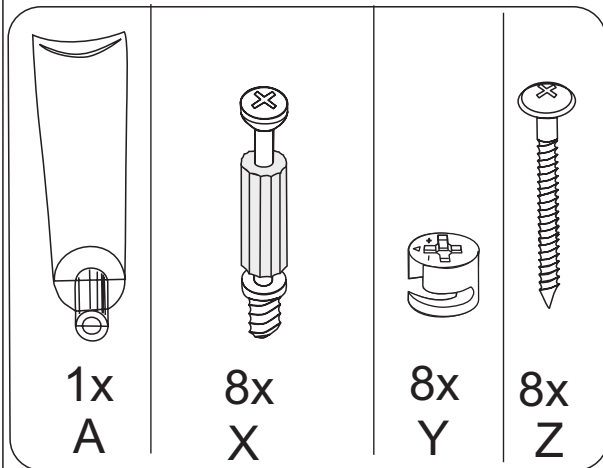


# Assembly Instruction

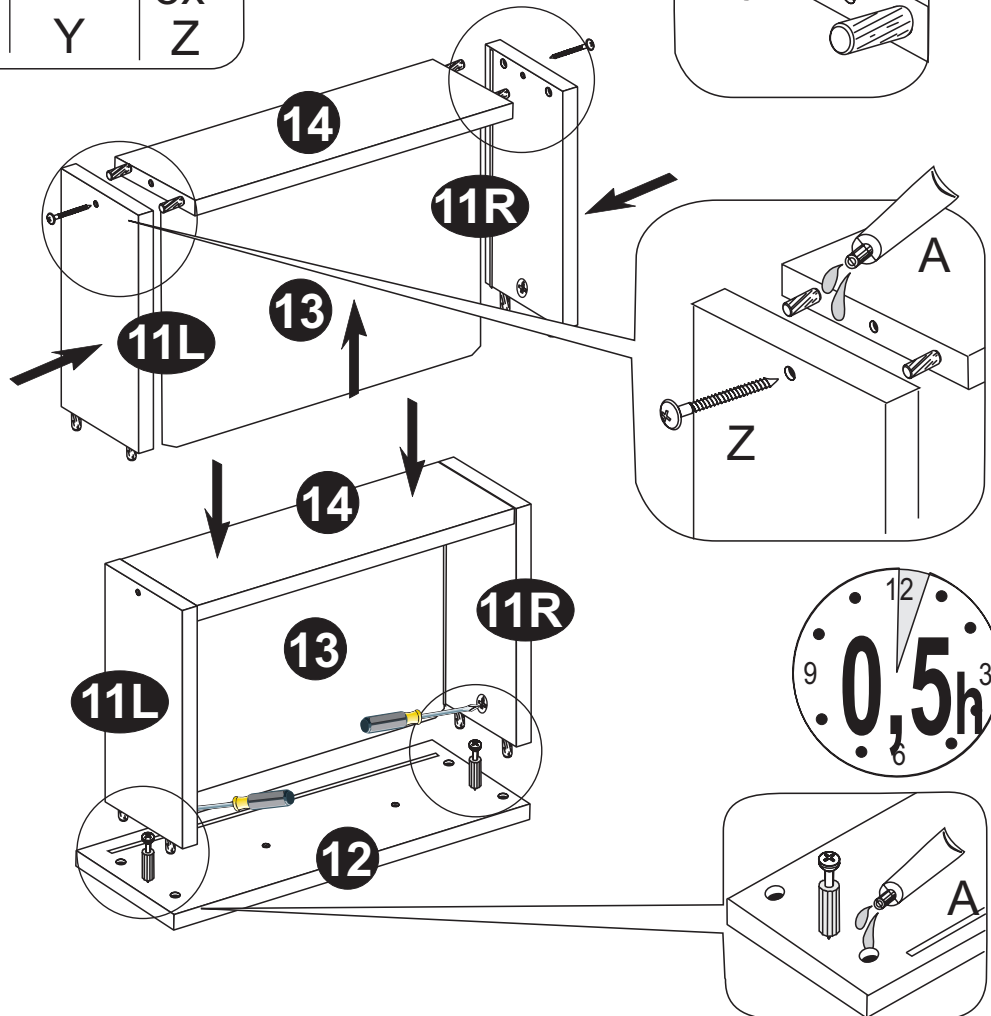
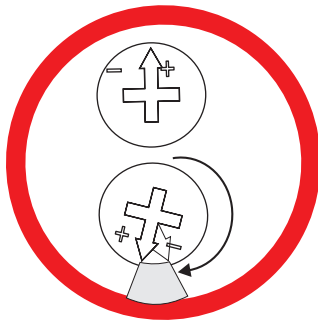
## DESCRIPTION: RIGA 4 + 2 DRAWER CHEST

# 13

DO THIS STEP FOUR TIMES (4x)



1/2 TURN  
CLOCKWISE.

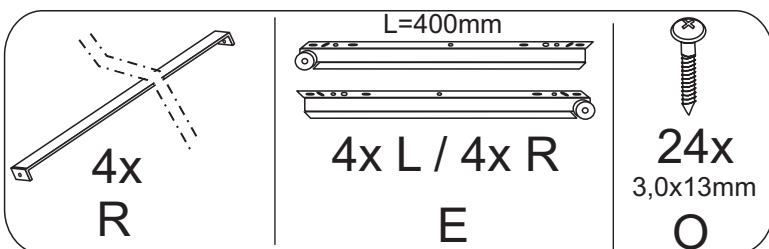
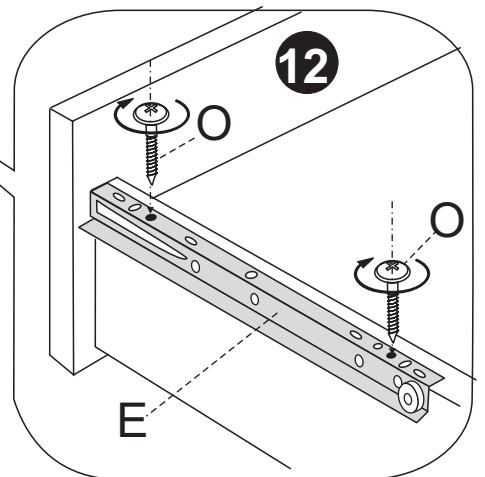
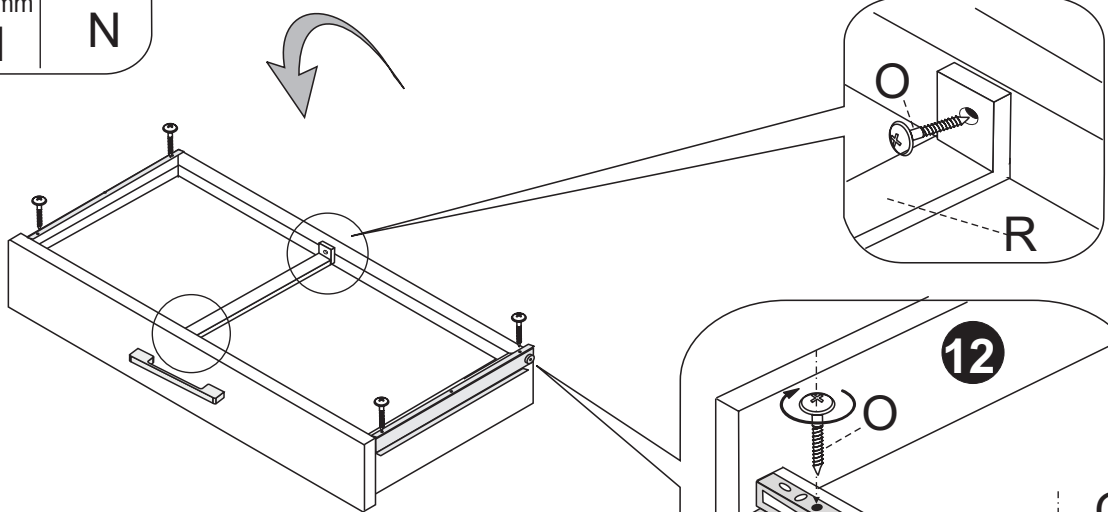
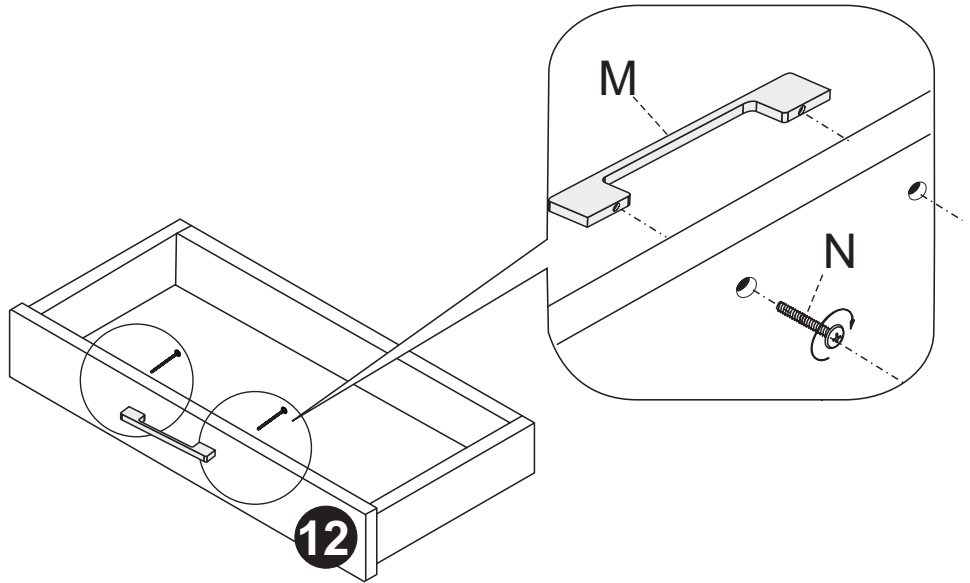
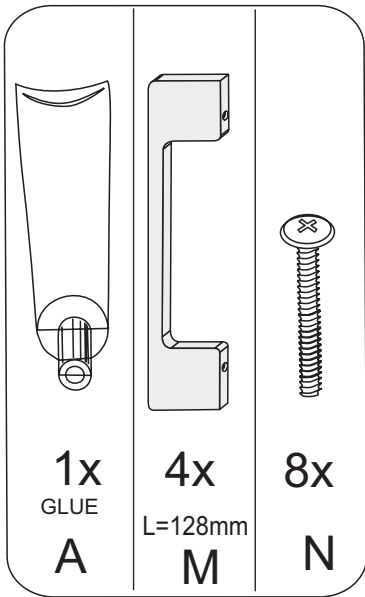


# Assembly Instruction

## DESCRIPTION: RIGA 4 + 2 DRAWER CHEST

**14**

DO THIS STEP FOUR TIMES (4x)

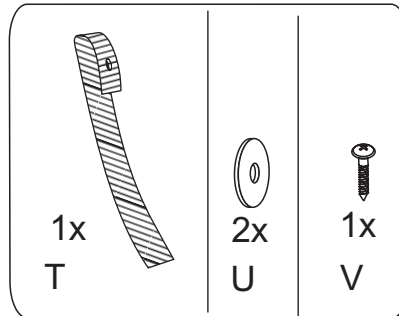
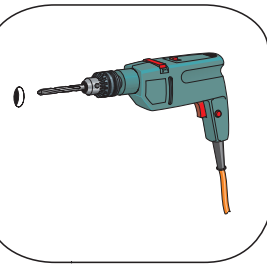




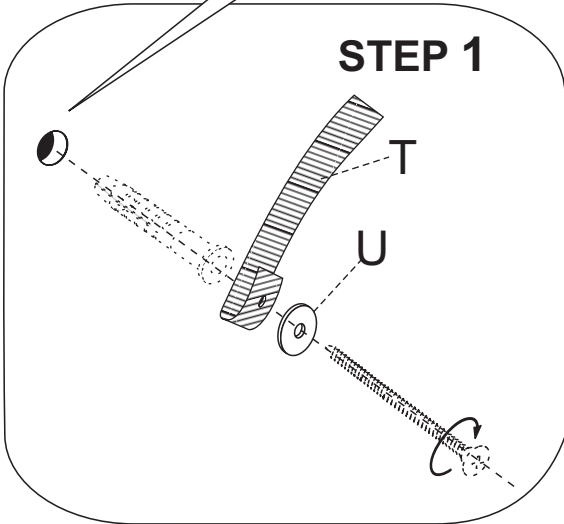
# Assembly Instruction

## DESCRIPTION: RIGA 4 + 2 DRAWER CHEST

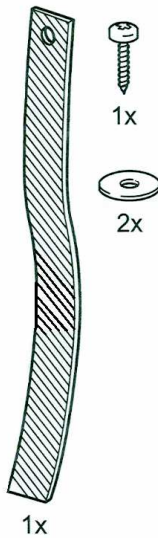
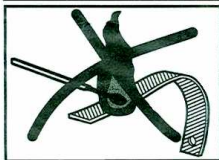
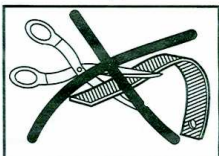
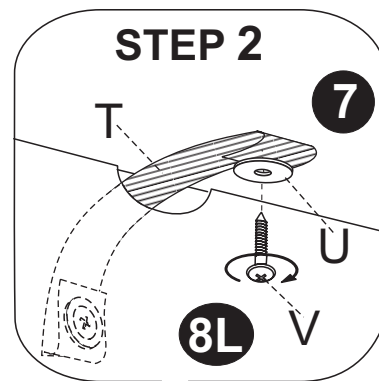
15



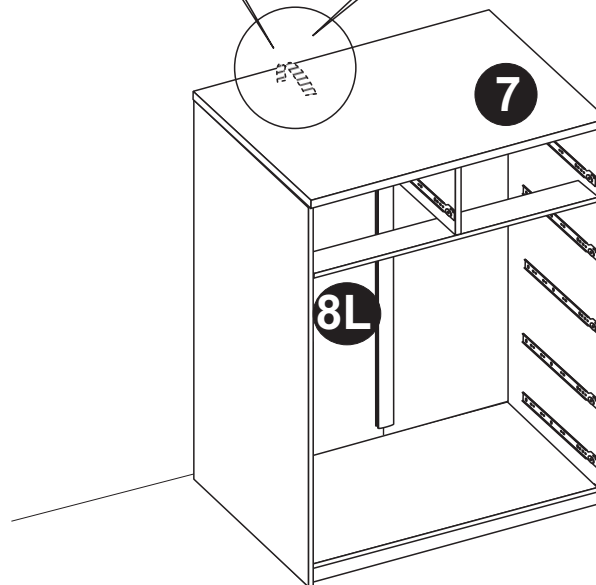
### STEP 1



### STEP 2



For units above 75cm in height.



Wall fixings are not supplied with this product as different wall materials require different types of fixing devices (such as Rawl plugs used on brick work). You must use fixing devices suitable for the type of wall you intend to mount this product to. Please ensure that the head of any screw used has a diameter greater than the diameter of the mounting hole on the product and that the fixing is safe and secure before use.

# Assembly Instruction

DESCRIPTION:  
RIGA  
4 + 2 DRAWER CHEST

16

