

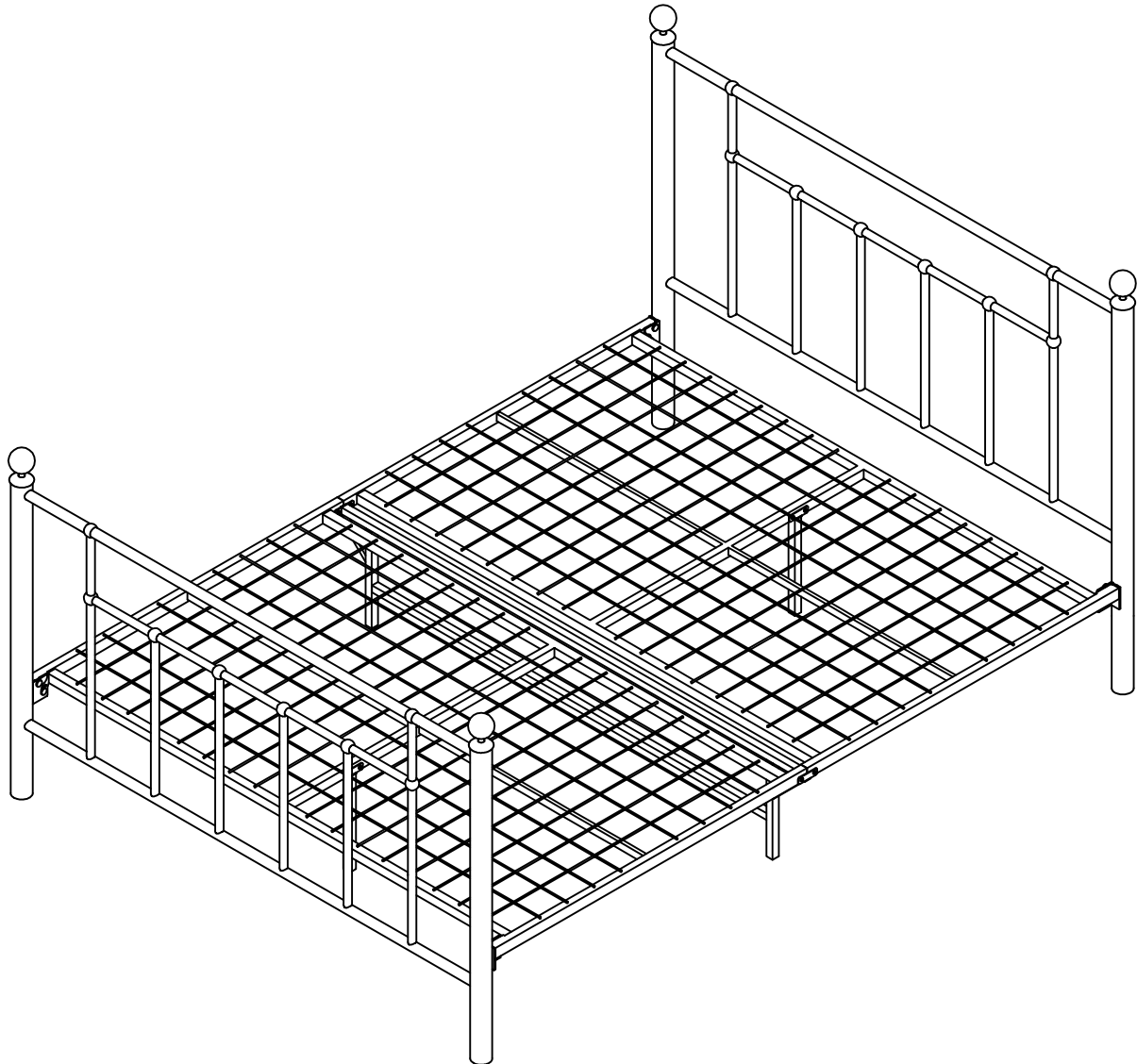
# JD Williams

## LEDBURY KINGSIZE METAL BEDSTEAD

Assembly Instructions - Please keep for future reference

Cat No

FF567



Dimensions	No. people	Assembly Time
Width: 163.0cm Depth: 216.0cm Height: 115.0cm		15 Minutes (approx.)

**Important** - Please read these instructions fully before starting assembly

If you need help or have damaged or missing parts, call the **JDW Customer Helpline: 0871 231 2000**

## Safety and Care Advice

**Important - Please read these instructions fully before starting assembly**

- Check you have all the components and tools listed on next pages.
- Remove all fittings from the plastic bags and separate them into their groups.
- Keep children and animals away from the work area, small parts could choke if swallowed.
- Make sure you have enough space to lay out the parts before starting.
- Do not stand or put weight on the product, this could cause damage.
- Assemble the item as close to its final position (in the same room) as possible.
- Assemble on a soft, level surface to avoid damaging the unit or your floor.
- We do not recommend the use of power drill/drivers for inserting screws, as this could damage the unit. Only use hand screwdrivers.
- Dispose of all packaging carefully and responsibly.



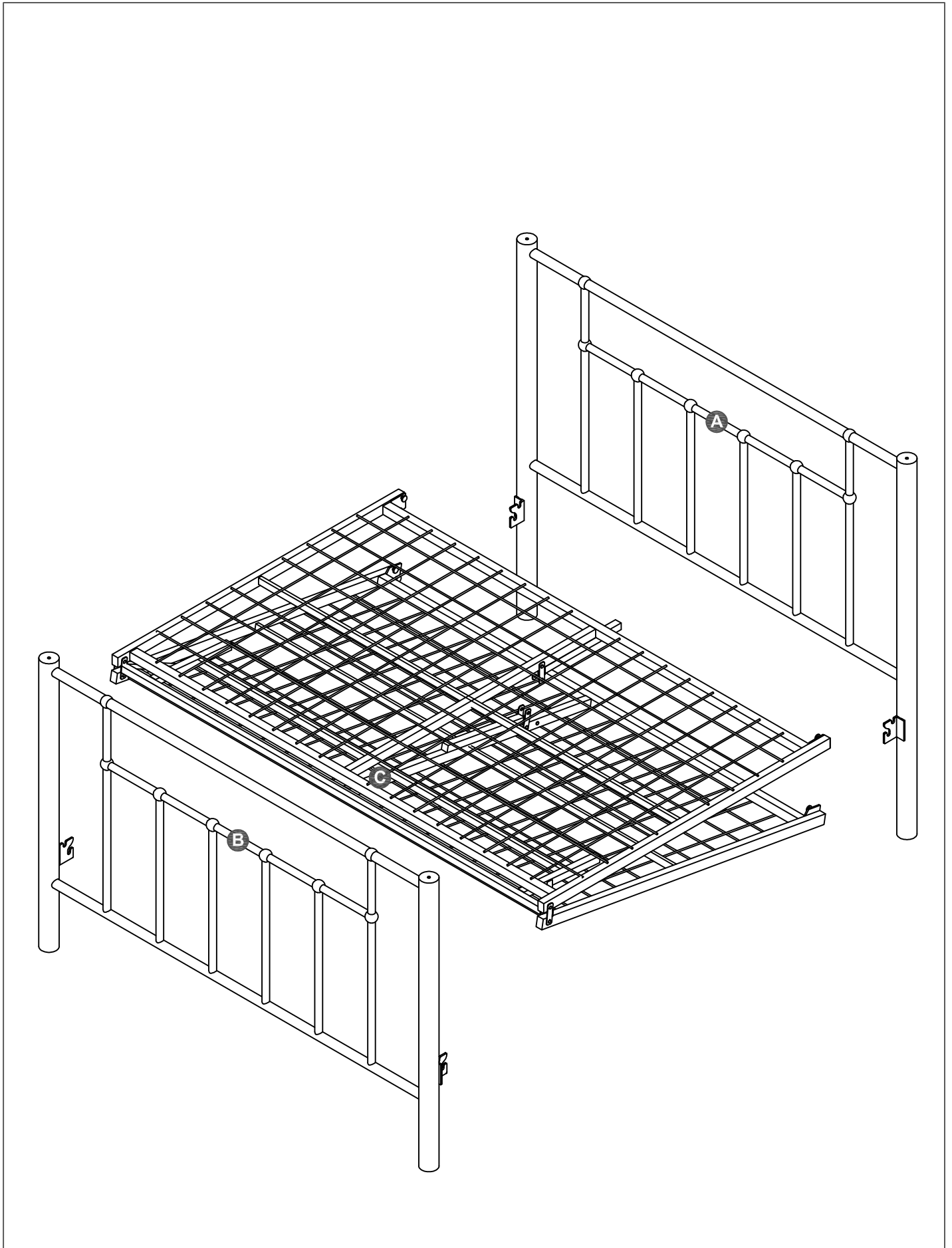
### Care and Maintenance

- Only clean using a damp cloth and mild detergent, do not use bleach or abrasive cleaners.
- From time to time check that there are no loose screws on this unit.
- This product should not be discarded with household waste. Take to your local authority waste disposal centre.

**If you have damaged or missing components, call the JD Williams Customer Helpline on 0871 231 2000**

**If you are unhappy with the product and wish to return it, please follow the retailer's returns procedure.**

# Exploded View



# Components - Panels

Please check that you have all the components listed below before constructing your items.


Part No	Description	Qty
A	Headboard	1
B	Footboard	1
C	Bed Base	1

# Components - Fixings

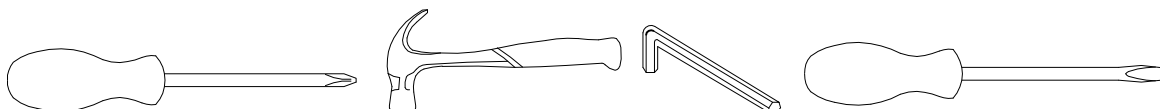
Please check that you have all the components listed below before constructing your items.

**Note:** The quantities below are the correct amount to complete the assembly. In some cases more fittings may be supplied than are required.

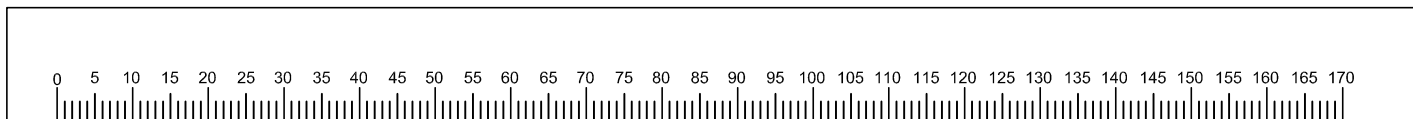
\*Hardware packed separately according to the code.

(A)	Metal Knob
	
	4 units

## Tools Required

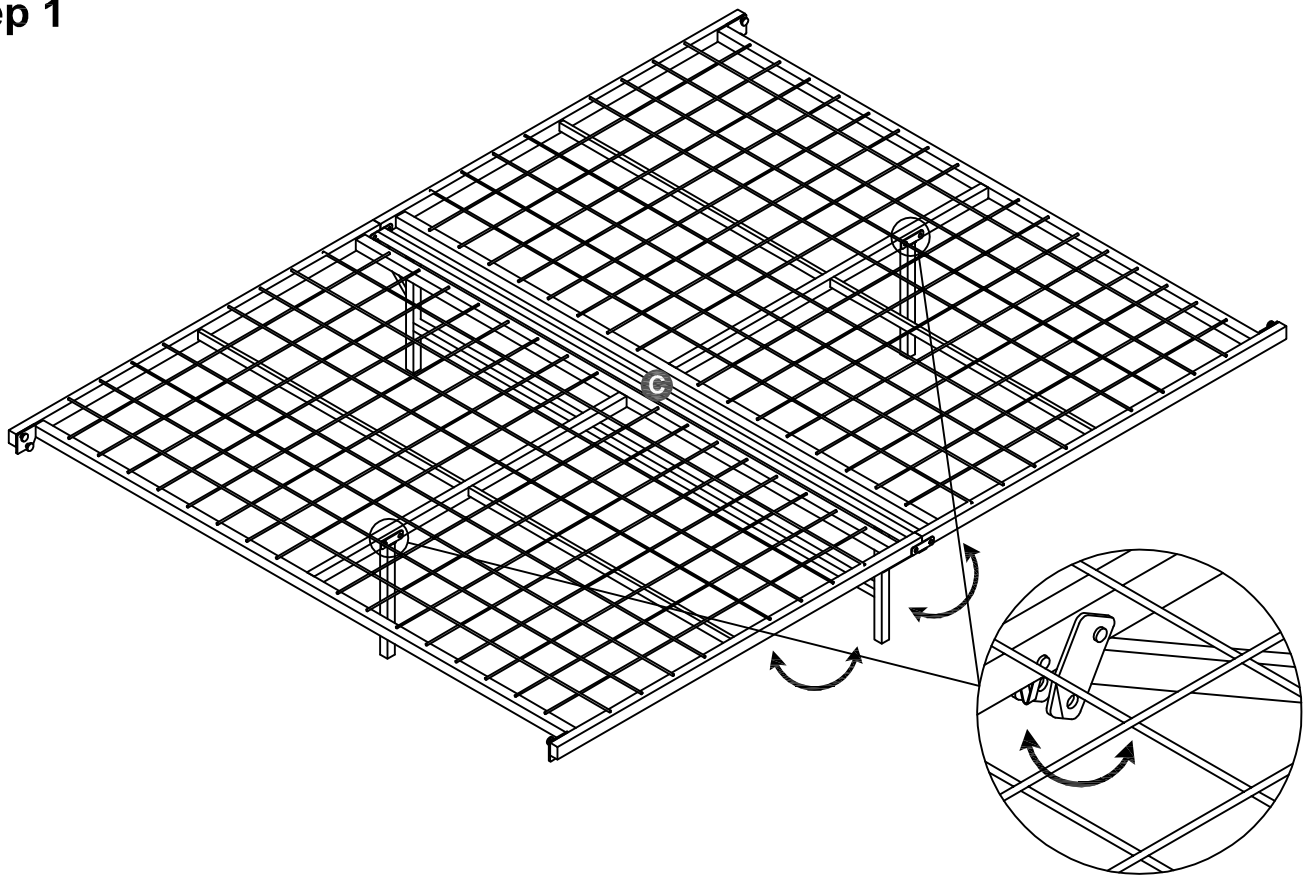


Ruler - Use this to measure your screws (mm)

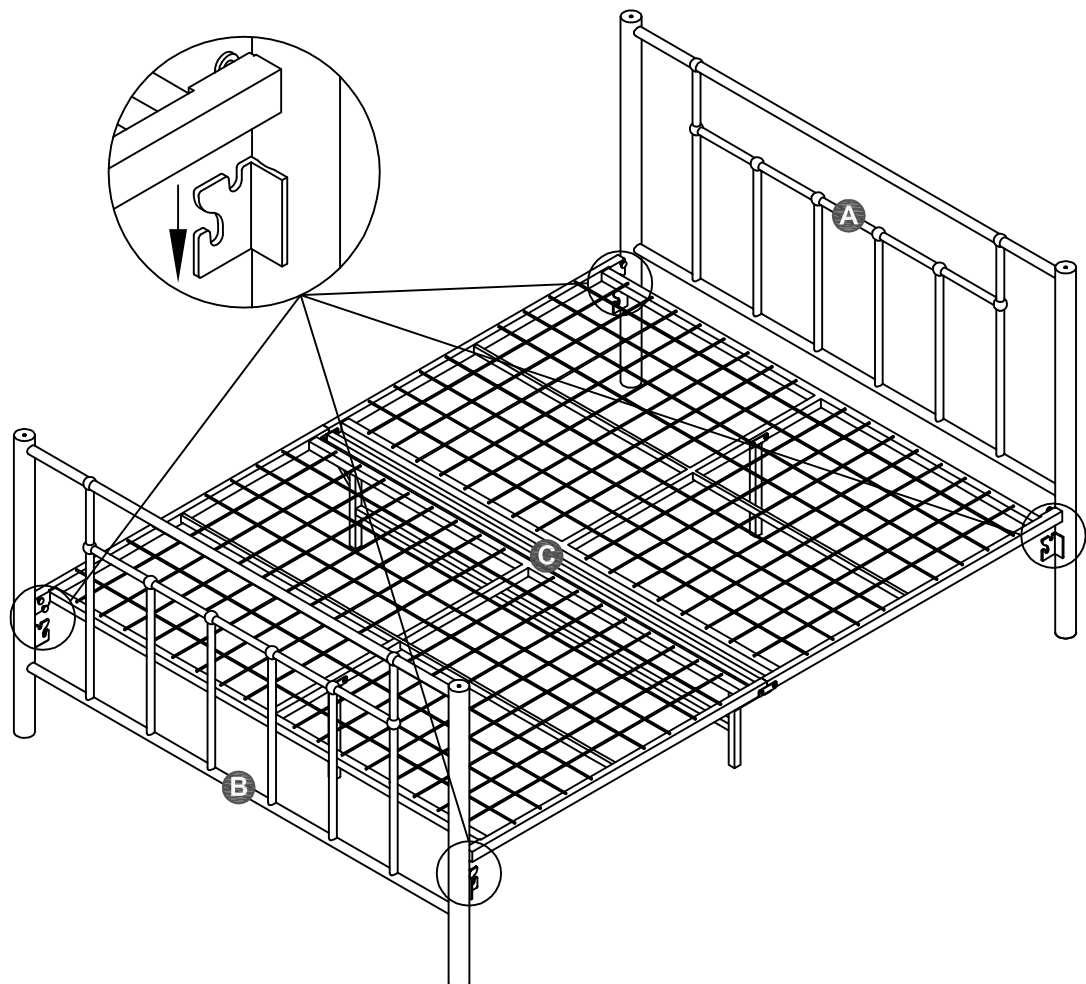


# Assembly Instructions

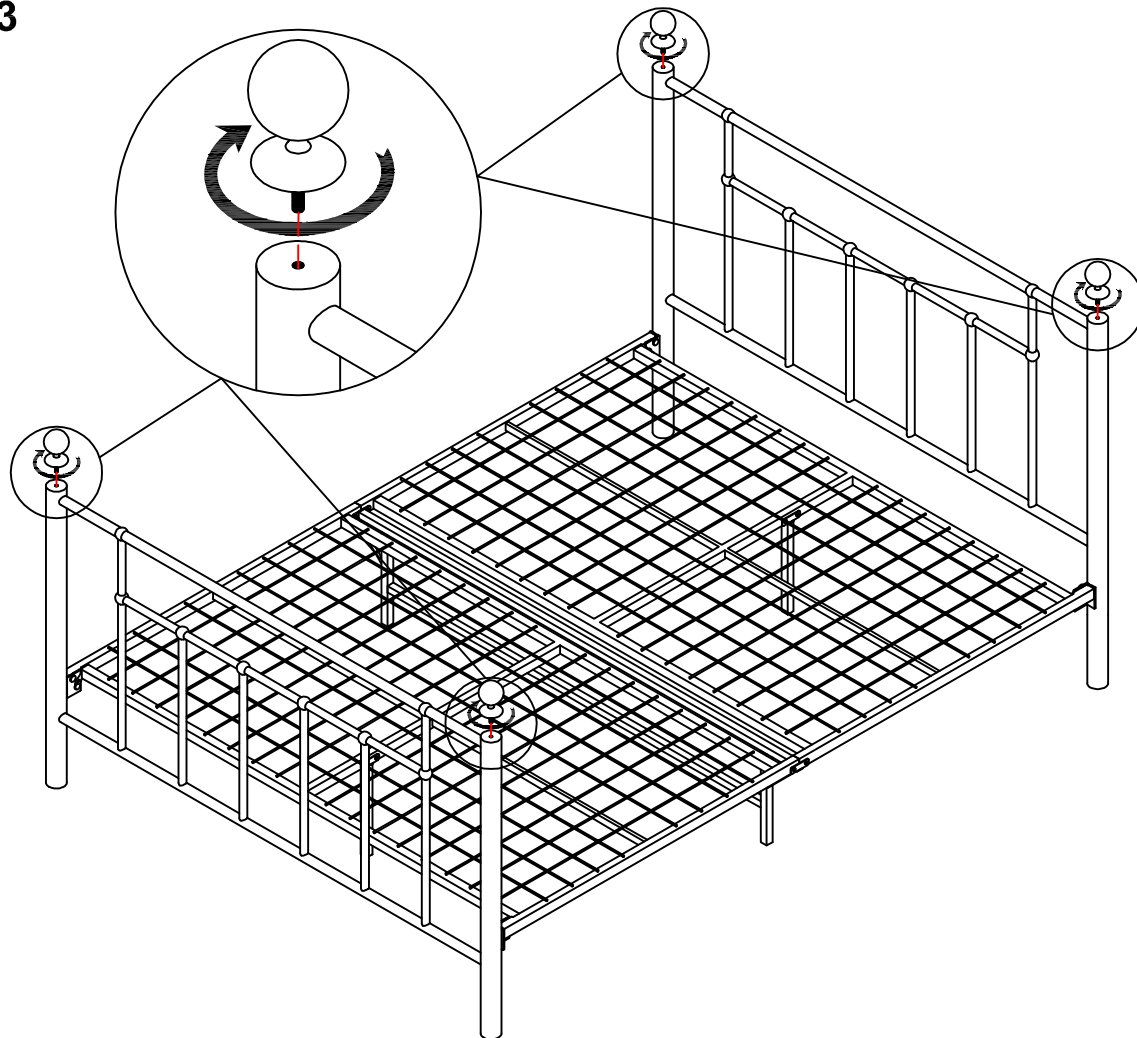
## Step 1



## Step 2



### Step 3



### Step 4

