

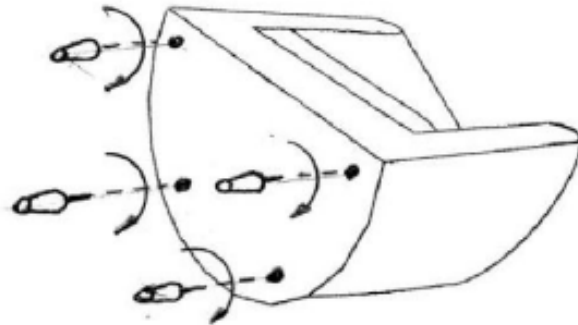


Ref	Dimensions(mm)	Image	Qty
1			1
2	Tapered Leg with Washer Φ 5cm to Φ 3.5cm x 13.5cm		4



IMPORTANT!

Please do remove plastic cups from screws!

Insert leg into marked hole and gently screw clockwise to engage thread and tighten.

Please ensure legs are screwed in tightly to achieve maximum stability.